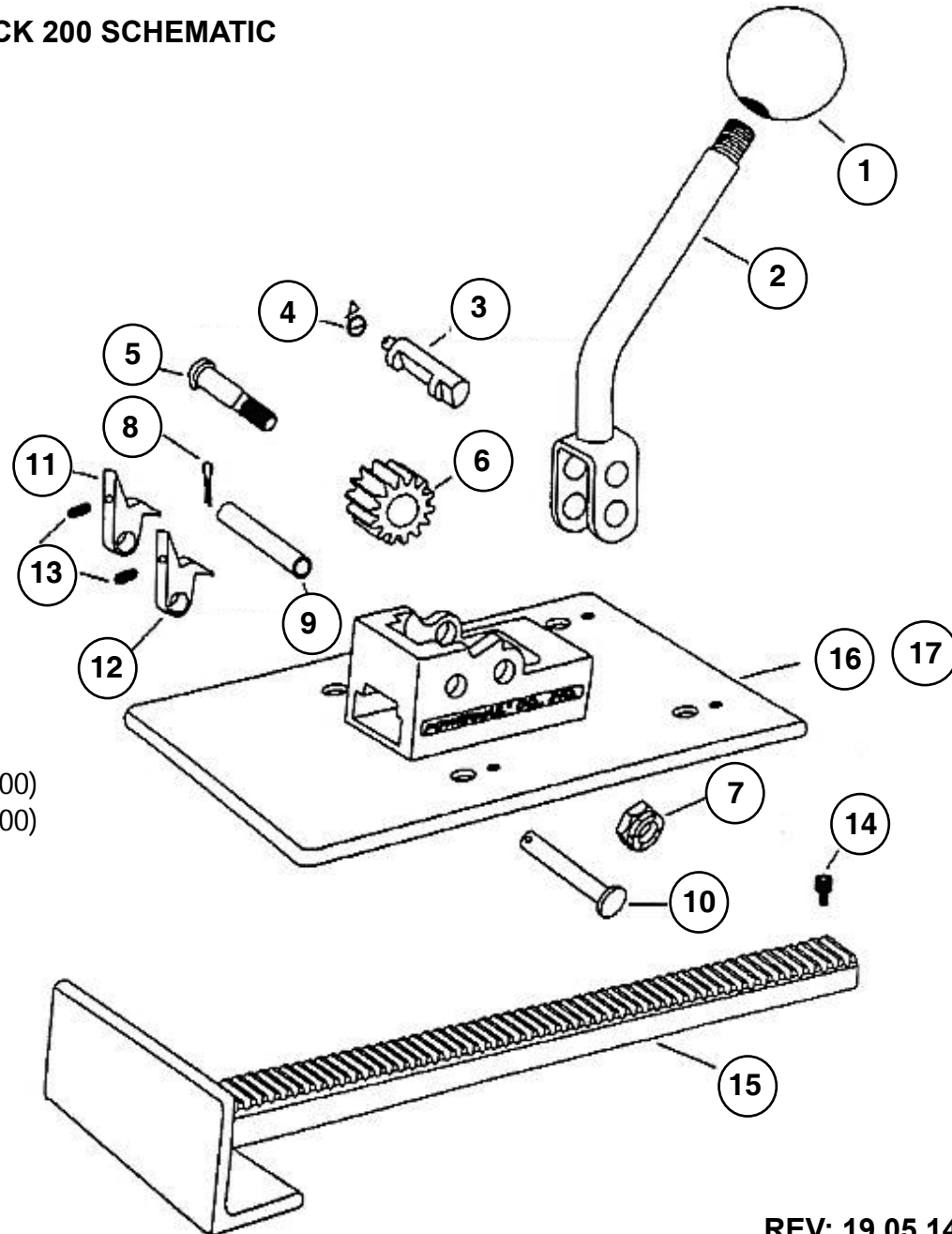


POWERNAIL POWERJACK 200 SCHEMATIC

1. Knob
2. Handle
3. Ratchet Shaft
4. Ratchet Spring
5. Gear Shaft
6. Gear
7. Gear Shaft Nut
8. Cotter Pin
9. Pawl Bushing
10. Pawl Pin
11. Pawl #1
12. Pawl #2
13. Pawl Spring
14. Cap Screw
15. Rack
16. Base Assembly (Model 100)
17. Base Assembly (Model 200)



REV: 19.05.14