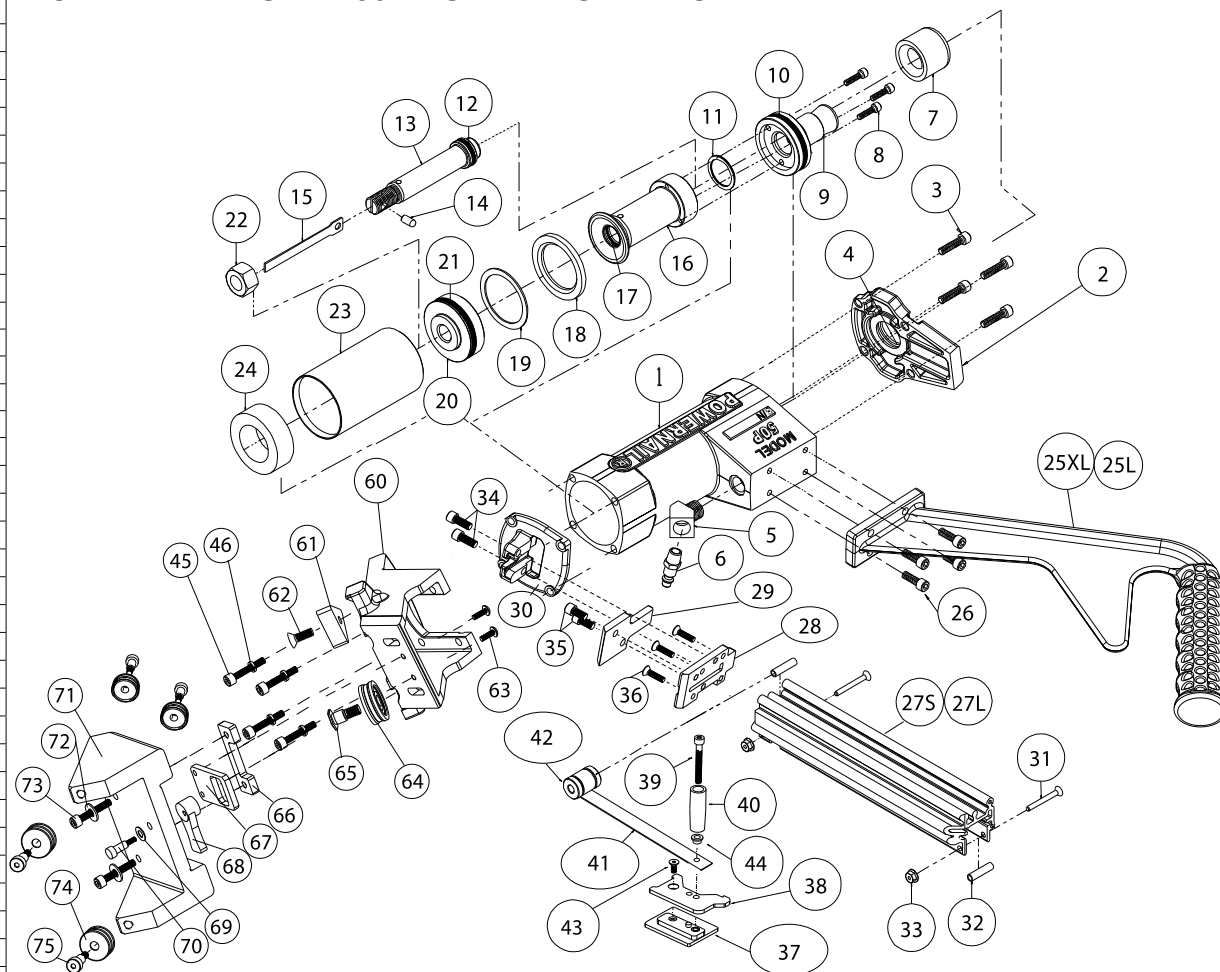


ITEM #	PART NO.	DESCRIPTION
1	09-50P3001	BODY
2	09-50P3150	CAP (LOW PROFILE)
3	09-50P3202	1/4-20 X 5/8" S.H.C.S. W/ PATCH (COVER)
4	09-44529729	PLUNGER WIPER METAL CAP O-RING
5	09-44529759	3/8 NPT 45 DEGREE STREET ELBOW
6	09-4455418	1/4" AIR FITTING 3/8" NPT
7	09-44529722	RUBBER CAP
8	09-44529832	#10-32 X 3/4" S.H.C.S. W/PATCH (PLUNGER)
9	09-50P3014	PLUNGER (LOW PROFILE)
10	09-44529725	PLUNGER SEAL SET
11	09-44529731	RETURN CYLINDER O-RING GASKET
12	09-2003028	PISTON ROD U-CUP LIP SEAL
13	09-50P3010	PISTON ROD
14	09-44529740	1/4 X 1/2" DOWEL PIN (DRIVING BLADE)
15	09-50P3018	DRIVING BLADE
16	09-2003013	RETURN CYLINDER
17	09-2003027	RETURN CYLINDER U-CUP LIP SEAL
18	09-44529723	RUBBER SEAT
19	09-44529721	SUPPORT RING
20	09-2003011	PISTON
21	09-2003026	PISTON U-CUP LIP SEAL
22	09-44529748	5/8-18 JAM NUT (DRIVING BLADE)
23	09-2003015	CYLINDER SLEEVE
24	09-44529724	RUBBER BUMPER
25XL	09-50P3201	HANDLE, X-LONG
25L	09-50P3200	HANDLE, LONG
26	09-44529744	1/4-20 x 3/4" SHCS W/PATCH
27L	09-50P3058	NAIL CHANNEL (TOP LOAD), LONG
27S	09-50P3056	NAIL CHANNEL (TOP LOAD), SHORT
28	09-50P3042R2	GATE (Revision 2)
29	09-50P3017R2	GATE PLATE (Revision 2)
30	09-50P3006R2	STEEL FOOT (Revision 2)
31	09-44529750	#8-32 X 1-1/2" FHCS (SPACER)
32	09-44529756	1/4 X 1" SPACER (CHANNEL)
33	09-44529751	#8-32 LOCKNUT (SPACER)
34	09-50P3046	1/4-20 x 5/8" SHCS w/patch Torx Drive T27 (R2) Foot
35	09-50P3047	1/4-28 x 1/2" SHCS w/patch (R2 Gate Plate)
36	09-50P3045	#10-32 x 3/4" FHCS w/patch (R2 Gate)
37	09-50P3050	NAIL PUSHER (TOP LOAD)
38	09-50P3054	PUSHER PLATE (TOP LOAD)
39	09-50P3057	#10-32 x 1-1/2" SHCS (TOP LOAD)
40	09-44529735.2	NAIL PUSHER KNOB
41	09-50P3055	NAIL PUSHER SPRING (TOP LOAD)
42	09-445297341	SPOOL (TOP LOAD)
43	09-50P3053	#8-32 x 3/8" FHCS w/patch (TOP LOAD)
44	09-50P3052	BUSHING (TOP LOAD)
45	09-44529747	1/4-20 X 1-1/4" SHCS W/PATCH (FOOT)
46	09-44529758	1/4 SPLIT RING LOCK WASHER (FOOT)
60	09-50P3110	ROLLER ADAPTER FOOT
61	09-50P3101	TRI-GLIDE TRIANGLE (PLASTIC)
62	09-50P3102	1/4"-20 X 3/4" F.H.C.S.
63	09-50P3077	#10-32 X 1/2" BHCS W/PATCH
64	09-50P3104	9MM BEARING W/ MOLDED COVER
65	09-50P3103	AXEL PIN
66	09-50P3071	FLEX FOOT BRACKET

ITEM #	PART NO.	DESCRIPTION
67	09-50P3073	FLEX FOOT CAM PLATE
68	09-50P3072	FLEX FOOT CAM
69	09-50P3079	BELLEVILLE DISC SPRING
70	09-50P3078	1/4 SH DIA X 1/2" SH. BOLT W/PATCH
71	09-50P3081	ROLLER FLEX FOOT
72	09-50P3076	WASHER .281 ID X .62 OD X .051" T
73	09-50P3075	1/4-28 X 1-1/4" SHCS
74	09-50P3097	LARGE ROLLER BEARING WITH MOLDED COVER
75	09-50P3084	ROLLER 10MM SH DIA X 16MM SH BOLT

POWERNAIL MODEL 50P POWER ROLLER SCHEMATIC



REV: 2019.04.18