

# **POWERNAIL® CO.**

1300 Rose Road, Lake Zurich, IL 60047

Phone: 1-800-323-1653

Website: [www.powernail.com](http://www.powernail.com)

## ***Operation and Maintenance Manual***

### **MODEL 50M MANUAL POWERNAILER® FOR TONGUE AND GROOVE FLOORING 3/8" TO 5/8"**



#### **WARNING**

Read this manual before you use this Nailer. Follow all safety warnings and instructions. If you are uncertain about the operation of the Nailer, call us directly at 1-800-323-1653 for assistance or contact the closest Powernail Dealer for help. Please retain this information for future reference.

## TO PREVENT ACCIDENTAL INJURIES:

Always wear approved front and side **EYE PROTECTION** when operating this Nailer. Others in the work area should also wear front and side **EYE PROTECTION**. Eye protection will help guard against flying nails and debris, which could cause severe eye injury.

**EAR PROTECTION** may be required to prevent hearing damage when there are high noise levels in the work area.

**DO NOT USE THE METAL END OF THE MALLET TO STRIKE THE PLUNGER**, use the rubber capped end only.

Never place any part of the body in the discharge path of the Nailer.

## DESCRIPTION

The Model 50M Powernailer® is the latest model designed to bring Powernail quality to a manual nailer. The Powernailer® Model 50M—designed for use with only 1" , 1-1/4", 1-1/2" and 1-3/4" (18 gage) Powercleats® nails—provides several distinct advantages.

The Model 50M can nail down 3/8", 1/2", 5/8" and some exotic 3/4" tongue and groove hardwood flooring through the use of easy to change, no mar pad and shims. For a superior manual Nailer, look to the company that has been the industry's quality leader for over 50 years, **POWERNAIL® COMPANY, INC.**

## OPERATION

**Read these instructions carefully before you use the Nailer.**

To use the Model 50M, simply place the nailer on the floor, pull nailer back so locating ears catch the edge of the floor above the tongue, strike the plunger with the rubber capped mallet end and let the Nailer drive and set the nail at the correct 45 degree angle. Adjust nailer by adding shims between the adapter foot and pad until there is a slight gap between the tongue of the wood and the locating ears of the adapter foot. See example 1B and 2A.

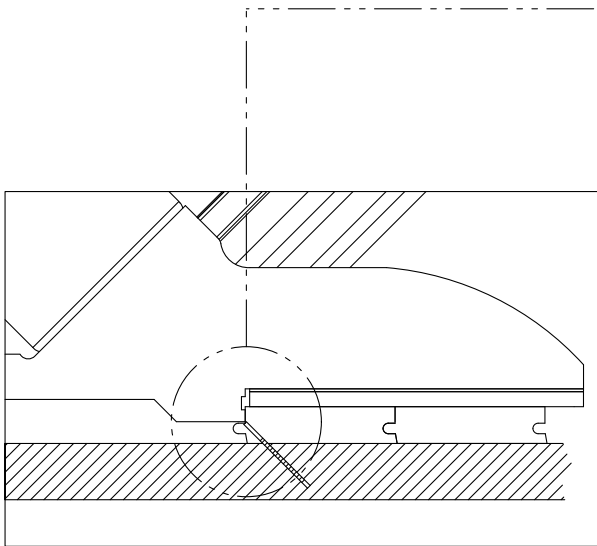
### **To Load Model 50M**

Place up to one stick (100) of Powercleats® (18 gage) nails, 1" , 1-1/4" , 1-1/2" or 1-3/4" long into the nail channel feed slot. Pull back the spring loaded nail pusher over the nails until it contacts the last nail and slowly release the nail pusher.

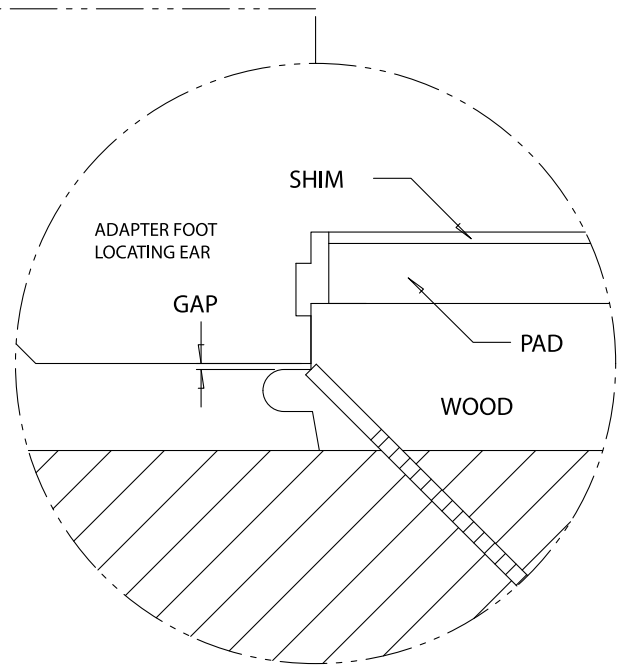
### **To Unload**

To remove nails from the nail channel, pull the two round knobs on the nail pusher together. This will clear it from the nail path. Then turn the nailer over so the nails slide out of the channel.

**WARNING** Do not use any nails other than Powernail Powercleats® (18 gage) nails, which are specifically designed for use in the Model 50M Powernailer. Powercleats® (18 gage) nails are available in 1", 1-1/4", 1-1/2" or 1-3/4" lengths to accommodate 3/8", 1/2", 5/8" and some exotic 3/4" tongue and groove hardwood flooring. Contact your Powernailer® dealer for Powercleats® nails.

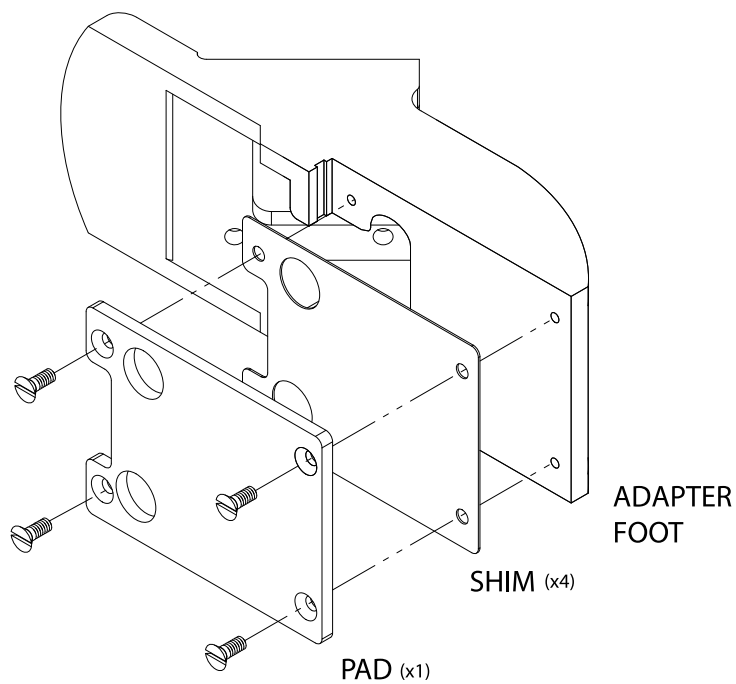


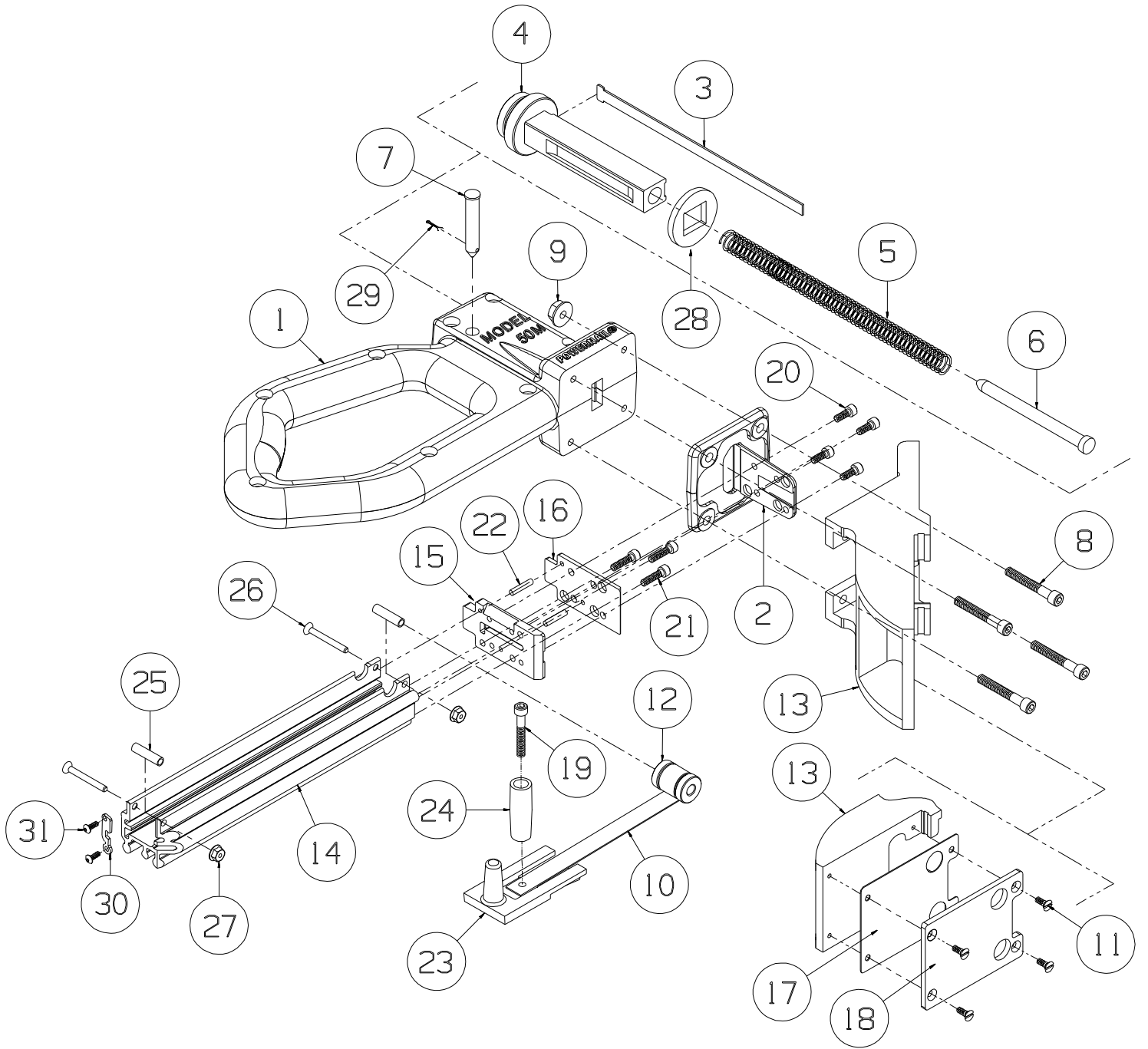
EXAMPLE 1A



EXAMPLE 1B

EXAMPLE 2A





## **Model 50M Parts List**

ITEM #	PART NO.	DESCRIPTION	Qty Req
1	08-50M-00-630	BODY ASSEMBLY	1
2	08-50M-00-150	FOOT	1
3	08-50M-00-380	DRIVING BLADE	1
4	07-50M-00-370	PLUNGER	1
5	08-250-00-450	PLUNGER SPRING	1
6	08-250-00-410	PLUNGER SPRING PIN	1
7	08-250-00-640	ROLLER PIN	1
8	08-250-00-740	1/4-20 X 1-3/4 S.H.C.S. (FOOT)	4
9	08-250-00-750	1/4-20 FLANGE NUT	4
10	09-200-3034	PUSHER SPRING	1
11	09-200-3057	#10-32 X 1/2 F.H.C.S. SLOTTED (PAD)	4
12	09-200-3035	SPOOL SET	1
13	09-50P-3005	ADAPTER FOOT	1
14	09-50P-3008	CHANNEL	1
15	09-50P-3042	GATE	1
16	09-50P-3017	GATE PLATE	1
17	09-50P-3038	SHIM	4
18	09-50P-3037	.200 THICK UHMW PLASTIC PAD	1
19	09-445-29745	#10-32 X 1-1/4 S.H.C.S.(KNOB)	1
20	09-445-29754	#10-32 X 1/2 S.H.C.S. (FOOT)	4
21	09-445-29822	#10-32 x 3/4" S.H.C.S. (GATE)	3
22	09-445-29741	1/8 X 5/8 ROLL PIN	2
23	09-445-29735	NAIL PUSHER	1
24	09-445-29735.2	KNOB	1
25	09-445-29756	STANDOFF	2
26	09-445-29750	#8-32 X 1-1/2 F.H.C.S.	2
27	09-445-29751	#8-32 LOCKNUT	2
28	08-45-00-580	BLADE RETAINER	1
29	08-45-00-610	COTTER PIN	1
30	09-50P-3040	CHANNEL PLATE	1
31	09-50P-3041	#6-32 X 3/8 B.H.C.S	2

## **Model 50M Assemblies, Kits & Accessories**

ITEM #	PART NO.	DESCRIPTION	Qty Req
A-1	AW-200	ALLEN WRENCH SET	1
A-2	09-50M-3065A	CHANNEL ASSEMBLY	1
A-3	09-200-3063A	NAIL PUSHER ASSEMBLY	1
A-4	08-50M-TU-KIT	MODEL 50M TUNE UP KIT	1

**WARNING** Never hit the Nailer with excessive force or with the metal end of the mallet, this will damage the nailer.

Before each use, check all screws to be sure they are tight. Shock and vibration can loosen screws. Do not over tighten any screw.

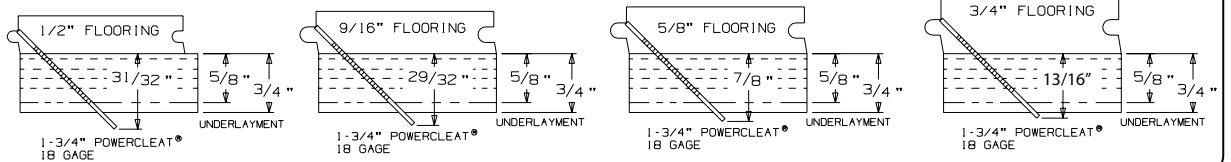
**TO CLEAR A NAIL JAM:**

1. It helps to tap the Driving Blade back to the retracted position before trying to remove a jammed nail. A spare Driving Blade works best for this.
2. Try to pull the jammed nail out of the gate with a pair of long nose pliers. If this does not work remove the four (4) cap screws holding the Foot, Gate and Nail Channel Assembly together.
3. Separate the Foot and Gate with a screw driver just enough to clear out the jammed nail.
4. Put thread locking compound on all screws and reassemble the components.

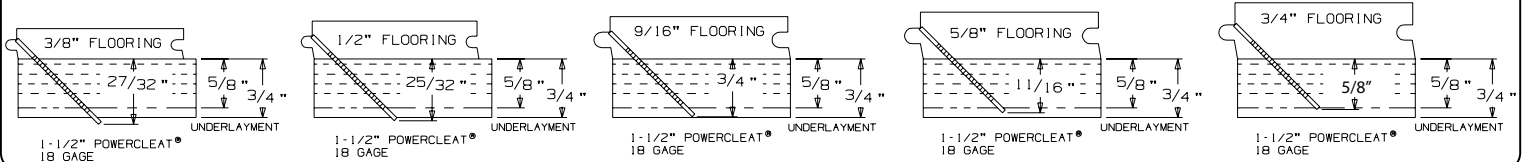
## POWERCLEATS LENGTH DETERMINATION CHART

This chart will assist you in determining the proper length of Powercleats to use for various thicknesses of flooring. Approximate vertical penetration of the Powercleat under the hardwood floor is shown for each application. This is only a guide. Results should be tested in the field before proceeding.

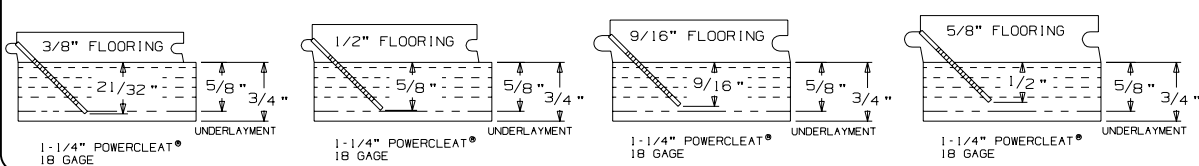
### 1-3/4" 18 GAGE POWERCLEATS®



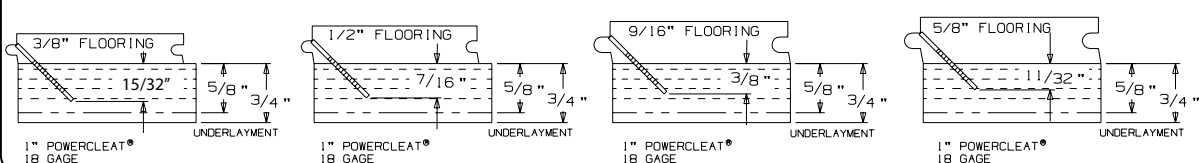
### 1-1/2" 18 GAGE POWERCLEATS®



### 1-1/4" 18 GAGE POWERCLEATS®



### 1" 18 GAGE POWERCLEATS®





***POWERNAIL*® *CO.***



1300 Rose Road, Lake Zurich, IL 60047

Phone: 1-800-323-1653

Website: [www.powernail.com](http://www.powernail.com)