

POWERNAIL® CO.

1300 Rose Road, Lake Zurich, IL 60047

Phone: 1-800-323-1653

Website: www.powernail.com

Operation and Maintenance Manual

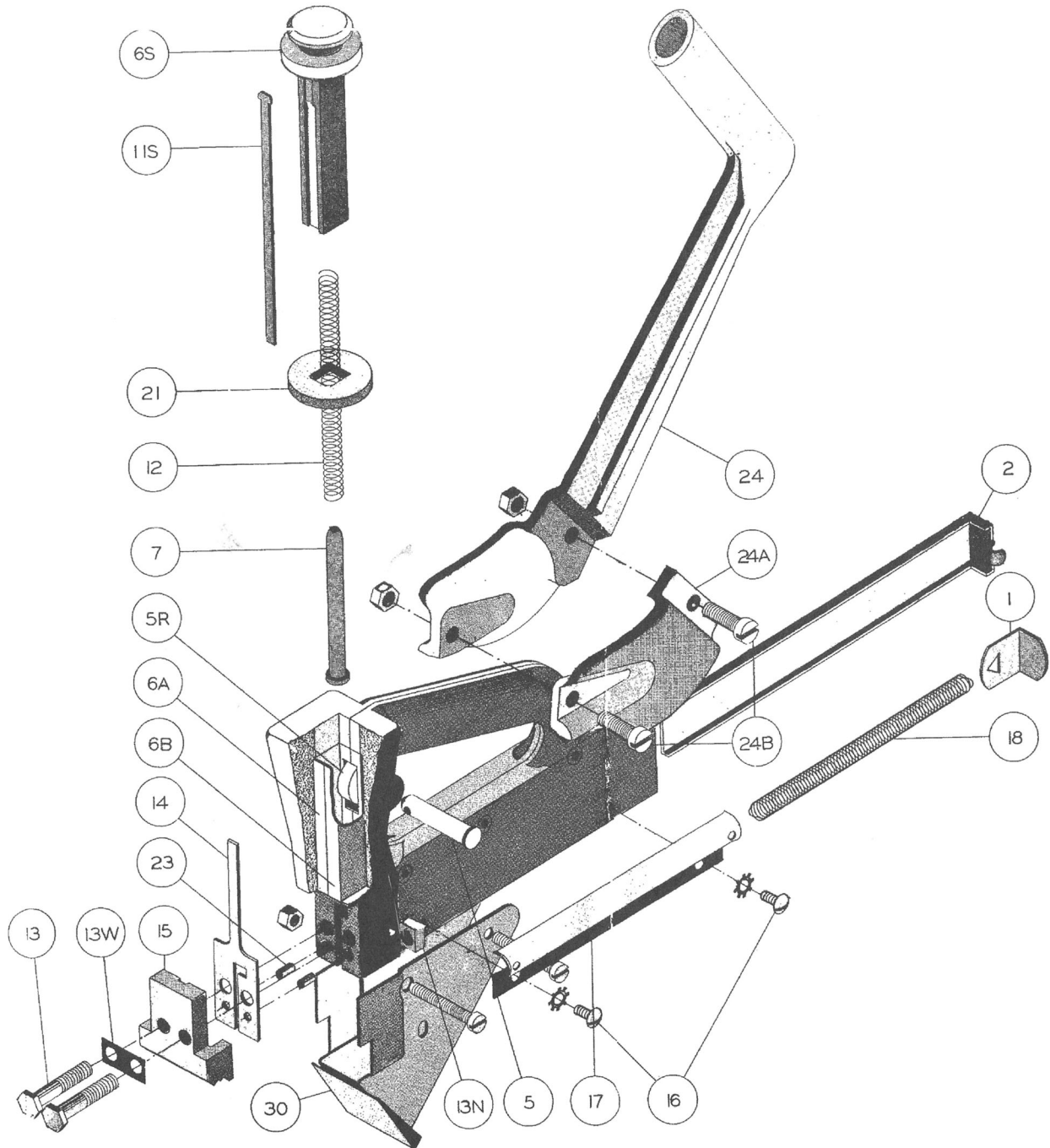
MODEL 50C 3/8" TONGUE AND GROOVE NAILER



WARNING

Read this manual before you use this Nailer. Follow all safety warnings and instructions. If you are uncertain about the operation of the Nailer, call us directly at 1-800-323-1653 for assistance or contact the closest Powernail Dealer for help. Please retain this information for future reference.

MODEL 50C 3/8" EXPLODED VIEW



MODEL 50C 3/8" PARTS LIST

ITEM #	PART NO.	DESCRIPTION	QTY REQ'D
1	08-45-00-010	SPRING CLIP	1
2	08-45-00-020	FEEDER CHANNEL	1
5	08-50C-12-050	PLUNGER PIN & KEY ASSEMBLY	1
5R	08-50C-12-05R	PLUNGER PIN ROLLER	1
6A	08-50C-12-06A	PLUNGER LINER - RIGHT SIDE	4
6B	08-50C-12-06B	PLUNGER LINER - LEFT SIDE	4
6S	08-50C-12-06S	PLUNGER HEAD	1
7	08-50C-12-070	PLUNGER SPRING PIN	1
11S	08-50C-38-11S	DRIVING BLADE	2
12	08-50C-12-120	PLUNGER SPRING	1
13	08-50C-12-130	FOOT SCREW	1
13N	08-50C-12-13N	FOOT SCREW NUT	2
13W	08-50C-12-13W	FOOT SCREW LOCKING WASHER	2
14	08-50C-38-140	GATE	1
15	08-50C-38-150	FOOT	1
16	08-45-00-160	SCREW & WASHER SET FOR SPRING CONT. (2 EA)	1
17	08-45-00-170	SPRING CONTAINER	1
18	08-45-00-180	FEEDER SPRING	1
21	08-50C-12-210	RUBBER BLADE RETAINER	1
23	08-50C-12-230	DOWEL PIN	1
24	08-50C-12-240	EXTENSION HANDLE	1
24A	08-50C-12-24A	EXTENSION HANDLE BRACKET	1
24B	08-50C-12-24B	EXTENSION HANDLE SCREW & NUT	1
30	08-50C-38-300	RISER BRACKET ASSEMBLY (FOR 3/8" T&G)	1

MODEL 50C 3/8" ACCESSORIES

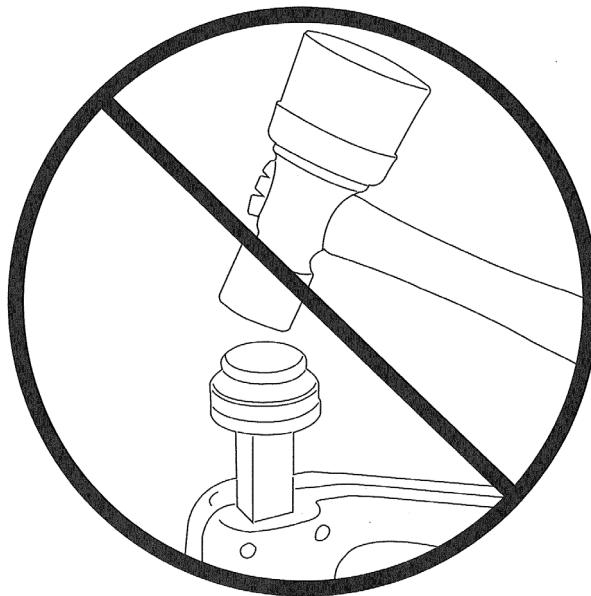
PART NO.	DESCRIPTION
08-50C-38-TU-KIT	TUNE-UP KIT FOR 50C-3/8"
08-50C-38-OVH-KIT	OVERHAUL KIT FOR 50C-3/8"

REPLACING #11S DRIVING BLADE

1. Remove #5 Roller Pin--save Cotter Pin.
2. Holding Nailer in left hand with Nailer tilted so rear of Nailer is down, depress #6 Plunger Head slightly so #5R Roller is released from Plunger Head.
3. Remove #6S Plunger Head from Body of Nailer by lifting straight out of Body.
4. Remove #11S Driving Blade from under #21 Rubber Blade Retainer. Discard Blade.
5. Insert new #11S Driving Blade with face of Blade stamped "Front" facing front of Nailer, under #21 Rubber Blade Retainer until the "T" section at top of Blade fits into milled slot under Plunger Head. Push #21 Rubber Blade Retainer flush to underside of Plunger Head.
6. Holding Nailer in left hand with Nailer so rear of Nailer is down, slowly insert Plunger Head and Driving Blade Assembly into Nailer Body, making certain the #12 Plunger Spring is inserted into hole in Plunger Head. Hold in fully depressed position with one hand, while tilting nailer so front of nailer tilts forward. This lets the #5R roller lock in to the #6S plunger head.
7. While in this position, reinsert the #5 Roller Pin and Cotter Pin.
8. Installation is complete and Nailer is ready to use.

CAUTION

CAUTION: Using the mallet in the manner shown will not only break the plunger head, but may also damage the nailer body to the point where factory repairs cannot be made.



(IMPROPER MALLET USAGE WITH MODELS 50C POWERNAILER)