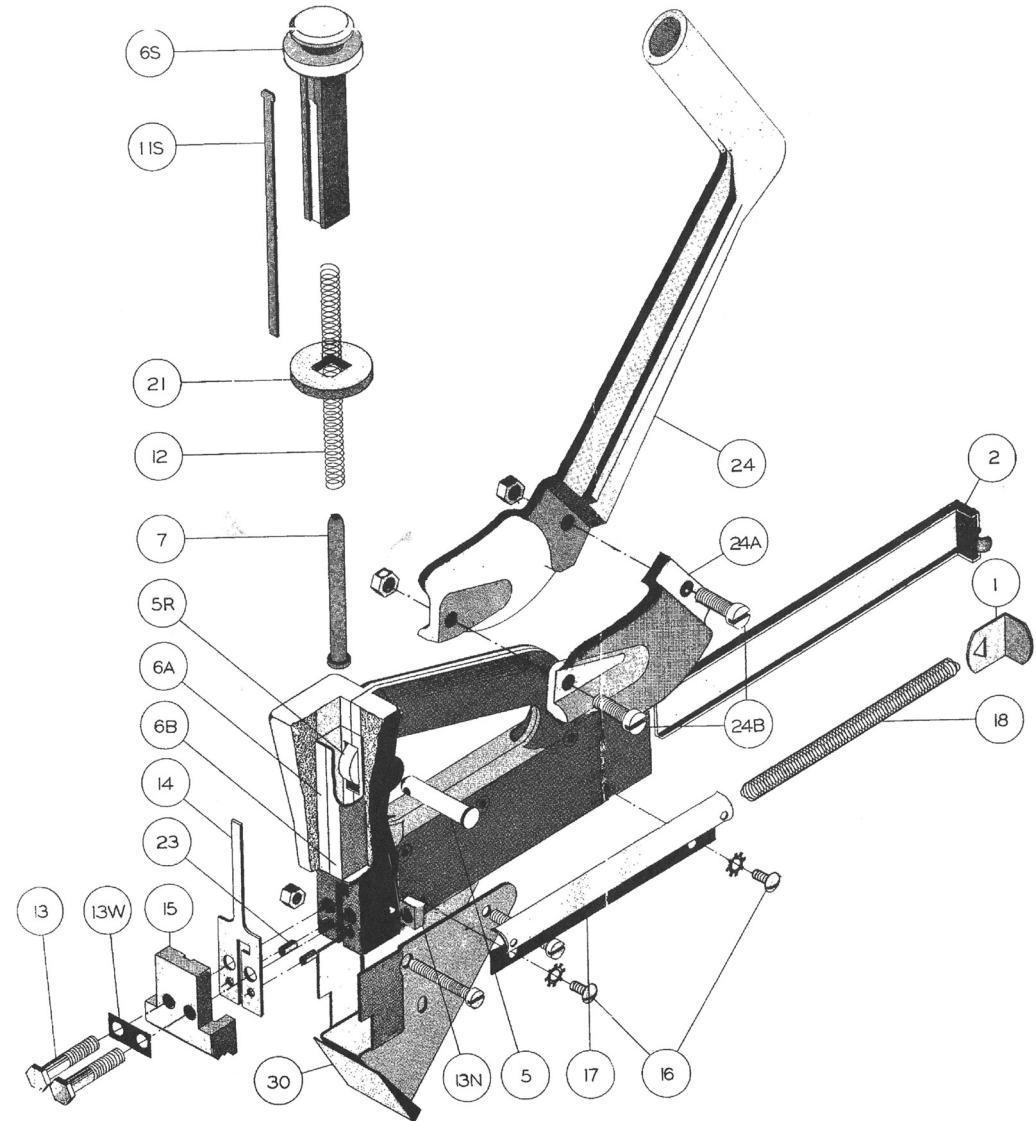


POWERNAIL MODEL 50C 3/8" SCHEMATIC

ITEM #	PART NO.	DESCRIPTION
1	08-45-00-010	SPRING CLIP
2	08-45-00-020	FEEDER CHANNEL
5	08-50C-12-050	PLUNGER PIN & KEY ASSEMBLY
5R	08-50C-12-05R	PLUNGER PIN ROLLER
6A	08-50C-12-06A	PLUNGER LINER - RIGHT SIDE
6B	08-50C-12-06B	PLUNGER LINER - LEFT SIDE
6S	08-50C-12-06S	PLUNGER HEAD
7	08-50C-12-070	PLUNGER SPRING PIN
11S	08-50C-38-11S	DRIVING BLADE
12	08-50C-12-120	PLUNGER SPRING
13	08-50C-12-130	FOOT SCREW
13N	08-50C-12-13N	FOOT SCREW NUT
13W	08-50C-12-13W	FOOT SCREW LOCKING WASHER
14	08-50C-38-140	GATE
15	08-50C-38-150	FOOT
16	08-45-00-160	SCREW & WASHER SET FOR SPRING CONT. (2 EA)
17	08-45-00-170	SPRING CONTAINER
18	08-45-00-180	FEEDER SPRING
21	08-50C-12-210	RUBBER BLADE RETAINER
23	08-50C-12-230	DOWEL PIN
24	08-50C-12-240	EXTENSION HANDLE
24A	08-50C-12-24A	EXTENSION HANDLE BRACKET
24B	08-50C-12-24B	EXTENSION HANDLE SCREW & NUT
30	08-50C-38-300	RISER BRACKET ASSEMBLY (FOR 3/8" T&G)



REV: 1107