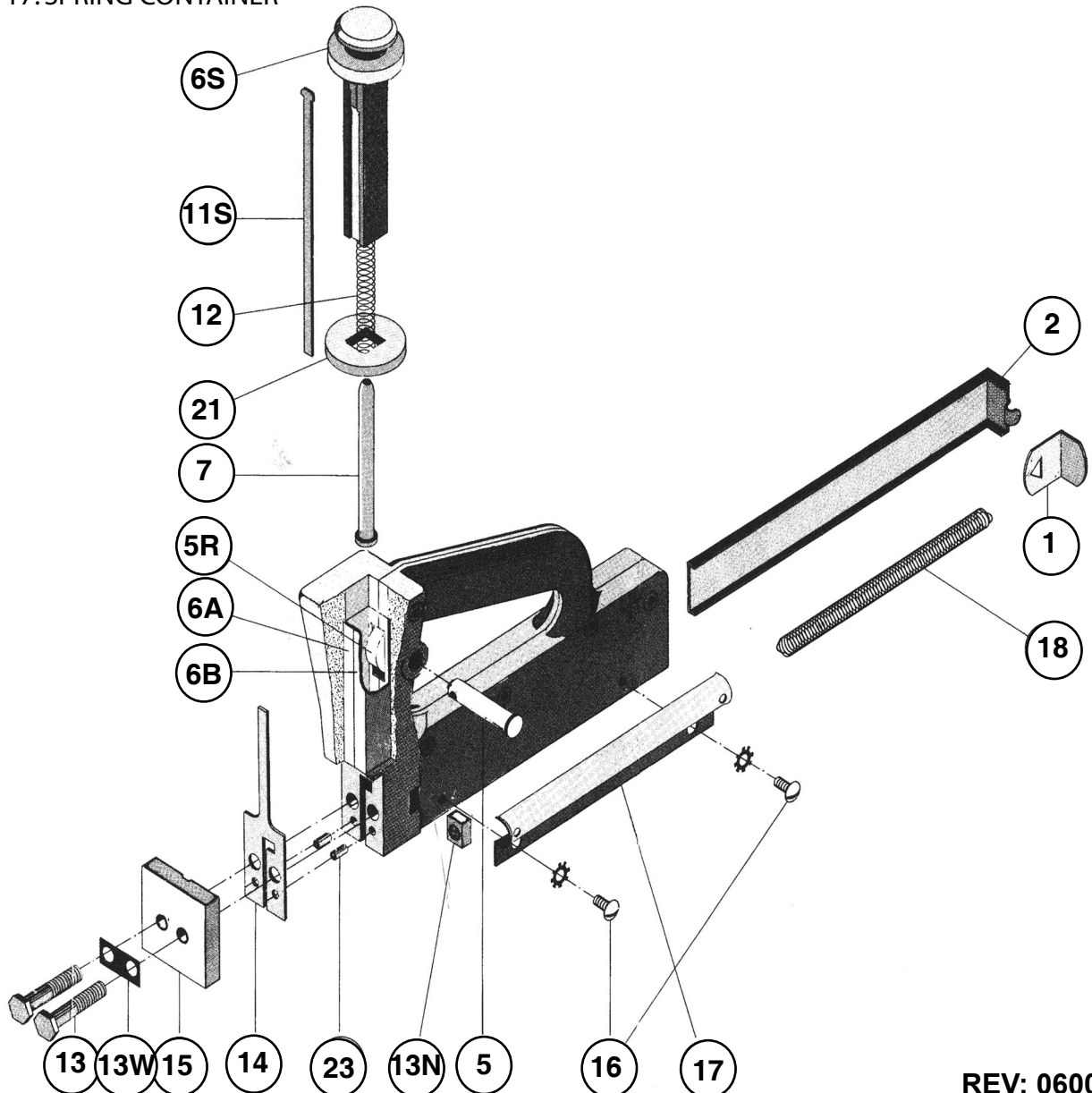


POWERNAIL MODEL 50C FACE SCHEMATIC

- | | |
|--------------------------------|-----------------------------------|
| 1. SPRING CLIP | 18. FEEDER SPRING |
| 2. FEEDER CHANNEL | 21. RUBBER BLADE RETAINER |
| 5. PLUNGER PIN & KEY ASSEMBLY | 23. DOWEL PIN |
| 5R. PLUNGER PIN ROLLER | 24. EXTENSION HANDLE |
| 6A. PLUNGER LINER - RIGHT SIDE | 24A. EXTENSION HANDLE BRACKET |
| 6B. PLUNGER LINER - LEFT SIDE | 24B. EXTENSION HANDLE SCREW & NUT |
| 6S. PLUNGER HEAD | |
| 7. PLUNGER SPRING PIN | |
| 11S. DRIVING BLADE | |
| 12. PLUNGER SPRING | |
| 13. FOOT SCREW | |
| 13N. FOOT SCREW NUT | |
| 13W. FOOT SCREW LOCKING WASHER | |
| 14. GATE* | |
| 15. FOOT* | |
| 16. SPRING CONTAINER SCREW | |
| 17. SPRING CONTAINER | |



REV: 0600