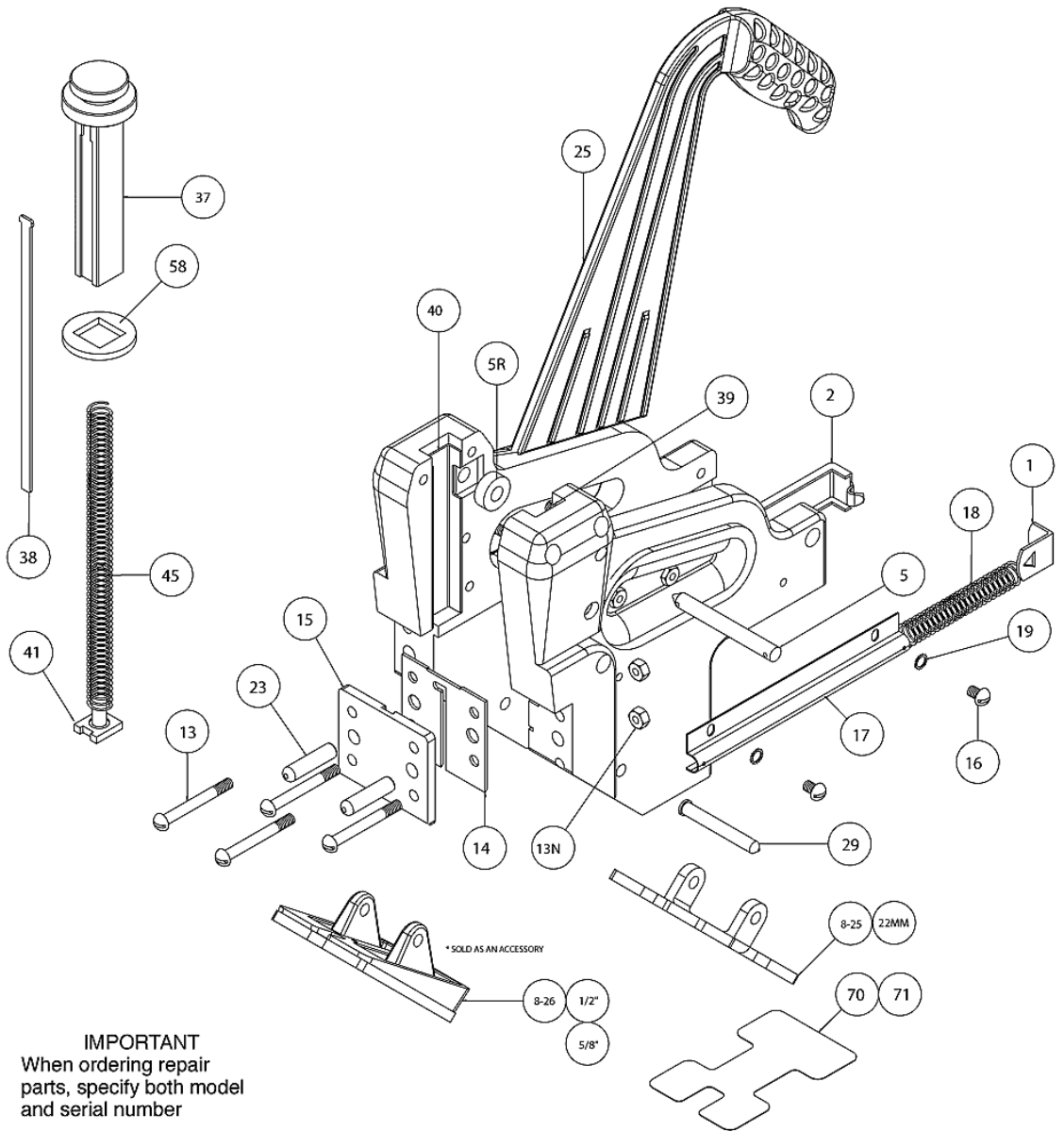


## POWERNAIL MODEL 45 SCHEMATIC

ITEM #	PART NO.	DESCRIPTION
1	08-45-00-010	SPRING CLIP
2	08-45-00-020	FEEDER CHANNEL
5	08-45-00-050	ROLLER PIN ASSEMBLY
5R	08-45-00-05R	ROLLER
13	08-45-00-130	FOOT SCREW
13N	08-45-00-13N	LOCKNUT
14	08-45-00-140	GATE
15	08-45-00-150	FOOT
16 & 19	08-45-00-160	SCREW & WASHER SET FOR SPRING CONT. (2 EA)
17	08-45-00-170	SPRING CONTAINER
18	08-45-00-180	FEEDER SPRING
23	08-45-00-230	DOWEL PIN
25	08-45-00-250	HANDLE ASSEMBLY
29	08-45-00-290	ADAPTER PLATE PIN ASSEMBLY
37	07-45-00-370	PLUNGER
38	08-45-00-380	DRIVING BLADE
39	08-45-00-400	LEFT PLUNGER LINER
40	08-45-00-390	RIGHT PLUNGER LINER
41	08-45-00-410	PLUNGER SPRING PIN
45	08-45-00-450	PLUNGER SPRING
58	08-45-00-580	BLADE RETAINER
70	06-99-720	#825 NO-MAR PAD (STICK-ON) .015 THICK
# 8-25	06-99-010	#825 ADAPTER PLATE ASSEMBLY FOR 3/4" T&G



**IMPORTANT**  
When ordering repair parts, specify both model and serial number

**REV: 408**