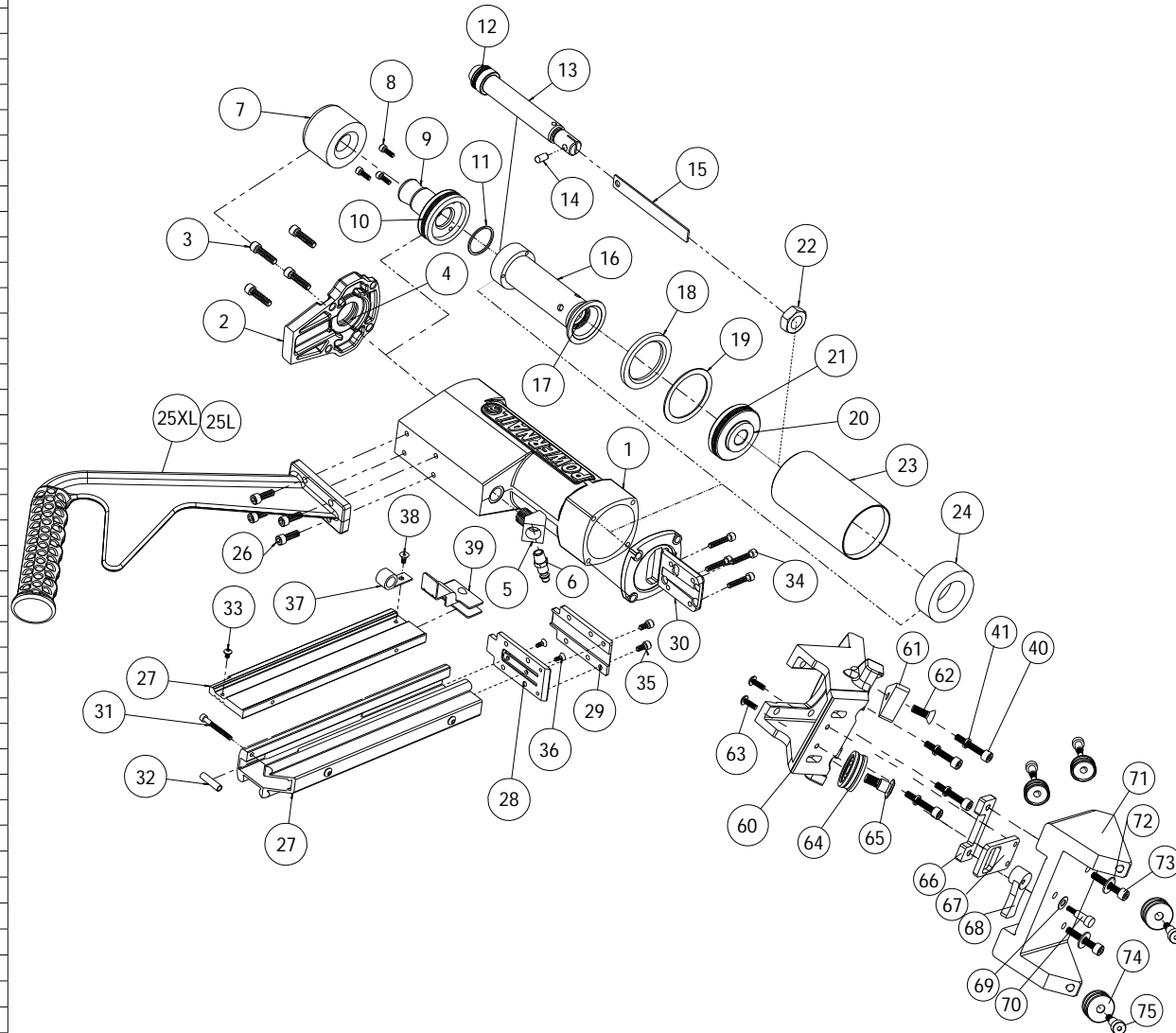


ITEM	PART NO.	DESCRIPTION
1	09-44529320	BODY
2	09-445293150	CAP (LOW PROFILE)
3	09-50P3202	1/4-20 X 5/8" S.H.C.S. W/PATCH (CAP)
4	09-44529729	PLUNGER WIPER METAL CAP O-RING
5	09-44529759	3/8" NPT 45° STREET ELBOW
6	09-4455418	1/4" AIR FITTING 3/8" NPT
7	09-44529722	RUBBER CAP
8	09-44529832	#10-32 X 3/4" S.H.C.S. W/PATCH (PLUNGER)
9	09-50P3014	PLUNGER (LOW PROFILE)
10	09-44529725	PLUNGER SEAL SET
11	09-44529731	RETURN CYLINDER O-RING GASKET
12	09-2003028	PISTON ROD U-CUP SEAL
13	09-44529710	PISTON ROD
14	09-44529740	1/4" X 1/2" DOWEL PIN (DRV. BLADE)
15	09-44529303	DRIVING BLADE
16	09-44529830	RETURN CYLINDER
17	09-2003027	RETURN CYLINDER U-CUP SEAL
18	09-44529723	RUBBER SEAT
19	09-44529721	SUPPORT RING
20	09-44529711	PISTON
21	09-2003026	PISTON U-CUP SEAL
22	09-44529748	5/8-18 JAM NUT (DRV. BLADE)
23	09-44529715	CYLINDER SLEEVE
24	09-44529724	RUBBER BUMPER
25XL	09-50P3201	HANDLE, X-LONG
25L	09-50P3200	HANDLE, LONG
26	09-50P3202	1/4-20 X 5/8" S.H.C.S. W/PATCH (HANDLE BASE)
27	09-44529325	TWO PART CHANNEL W/ TWO B.H.C.S
28	09-44529330	GATE
29	09-44529305	GATE PLATE
30	09-44529706	FOOT
31	09-44529331	#10-32 X 1/2" S.H.C.S. (STANDOFF)
32	09-44529756	1/4 X 1 STANDOFF SPACER (CHANNEL)
33	09-44529327	#8-32 X 5/16 B.H.C.S. (CHANNEL)
34	09-44529317	#10-32 X 1" S.H.C.S. W/PATCH (FOOT)
35	09-44529836	#10-32 X 3/8" S.H.C.S. (GATE)
36	09-44529313	#6-32 X 1/2" F.H.C.S. (GATE)
37	09-44529326	STAPLE PUSHER SPRING
38	09-44529328	#8-32 X 1/4 F.H.C.S. (CHANNEL)
39	09-44529329	STEEL STAPLE PUSHER
40	09-44529747	1/4-20 X 1-1/4" S.H.C.S. (FOOT)
41	09-44529758	1/4" SPLIT RING LOCK WASHER (FOOT)
60	09-4453110	ROLLER ADAPTER FOOT (445FSX)
61	09-50P3101	TRI-GLIDE TRIANGLE (PLASTIC)
62	09-50P3102	1/4"-20 X 3/4" F.H.C.S. (FOR TRIANGLE)
63	09-50P3077	#10-32 X 1/2" B.H.C.S.
64	09-50P3104	ROLLER BEARING (9MM) W/ MOLDED COVER
65	09-50P3103	ROLLER AXLE (FOR ROLLER)
66	09-44529334	FLEX FOOT BRACKET
67	09-50P3073	FLEX FOOT CAM PLATE
68	09-50P3072	FLEX FOOT CAM
69	09-50P3079	BELLEVILLE DISC SPRING

ITEM #	PART NO.	DESCRIPTION
70	09-50P3078	1/4 SH DIA X .50" SH. BOLT (W/PATCH)
71	09-44529875	ROLLER FLEX FOOT (445)
72	09-50P3076	WASHER .281 IDX.62 ODX.051" T
73	09-50P3075	1/4-28 X 1-1/4" S.H.C.S.
74	09-50P3097	LARGE ROLLER BEARING WITH MOLDED COVER
75	09-50P3084	ROLLER BOLT (10MM SH DIA X 16MM SH)

POWERNAIL MODEL 445FS POWER ROLLER SCHEMATIC



REV: 2019.04.18