

# **POWERNAIL® CO.**

1300 Rose Road, Lake Zurich, IL 60047

Phone: 1-800-323-1653

Website: [www.powernail.com](http://www.powernail.com)

## **Operation and Maintenance Manual**

### **Power Roller Conversion Kit**

**For Models 445 and 445FS**



**PART NO. 06-99607**

*The Power Roller speeds up installation time and requires less effort on the part of the installer.*

#### **WARNING**

Read this manual before you use the Power Roller. Follow all safety warnings and instructions. If you are uncertain about the operation of the Power Roller, call us directly at 1-800-323-1653 for assistance or contact the closest Powernail Dealer for help. Please retain this information for future reference.

rev. 2021.03.24

# FLEX POWER ROLLER

The 445 & 445FS FLEX Power Rollers speeds up the installation and requires less effort on the part of the installer.

The 445 & 445FS FLEX Power Rollers uses an adjustable foot and you can fine-tune the nailer height according to different wood profiles. No need for extra shims and pads!

The 445 & 445FS Flex Power Rollers are recommended for use on 3/4" to 5/8" Tongue and Groove flooring.

The 445 FLEX POWER ROLLER is designed to use cleat lengths of 2", 1-3/4", and 1-1/2".

The 445FS FLEX POWER ROLLER is designed to use staple lengths of 2", 1-3/4", and 1-1/2".

## OPERATION

**Read these instructions carefully before you use the Nailer.**

To use the 445 / 445FS Flex Power Roller, adjust the FLEX foot to a sample of your flooring.

Then, simply place the nailer / stapler on the floor, pull nailer / stapler back so the 9mm rollers catch the edge of the floor above the tongue, tap the plunger with the rubber capped mallet end to let the nailer / stapler drive and set the nail at the correct 45 degree angle.

*Note: If your nailer / stapler is equipped with a safety trigger, hold down on the trigger before tapping the plunger with the rubber capped mallet.*

Fastening with the Power Roller is faster and

easier. The nailer / stapler is designed to fasten from left-to-right and aides the installer by guiding the nailer / stapler into the flooring as the nailer / stapler is rolling along.

Consult the flooring manufacturers recommended nailing schedule and ensure you are nailing over a proper subfloor.

See page 3 for instructions on correct FLEX foot adjustment.

***Pownailers® are constructed in the USA and are made of the best materials available.***

## FLEX Foot Adjustment:

Wood varies from one manufacturer to the next. The different wood profiles may be due to height and length of the flooring tongue and whether or not there is a nail pocket.

First, loosen the two hex bolts under the FLEX foot with the Allen Wrench supplied with the nailer / stapler. (Figure 1.)

Next, set the nailer / stapler on a sample of your flooring.

Use the adjustment lever at the back of the roller foot to raise or lower the nailer to the wood.

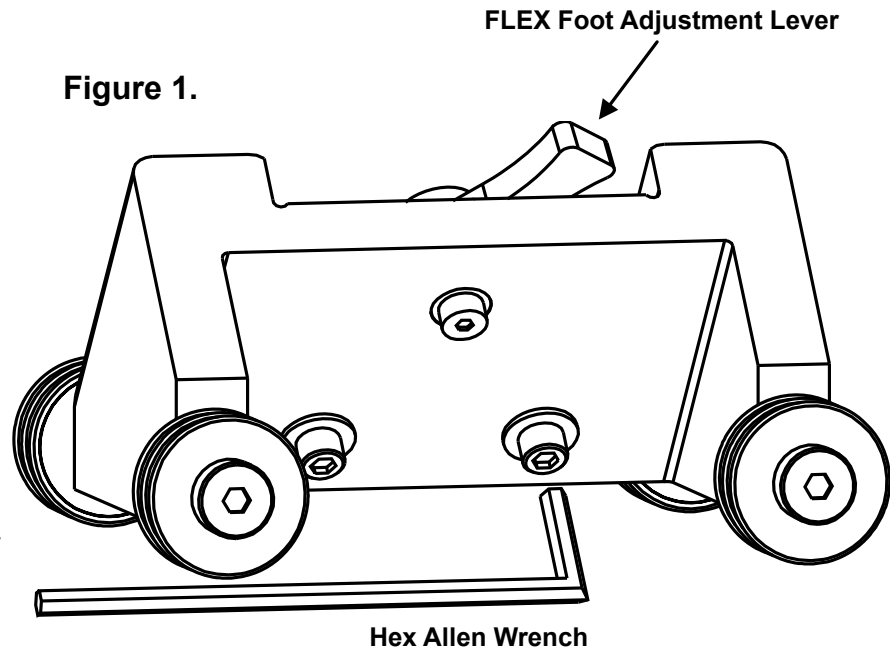
Match the Adapter Foot 9mm rollers so that they are pointing into the 90° angle created by the tongue and the top of the wood (see Figure 2).

For wood with a nail pocket, line up the 9mm rollers so that they are at the top of the nail pocket.

When the adjustment lever is in the correct position for your wood sample, tighten the two hex bolts to lock the FLEX foot into place.

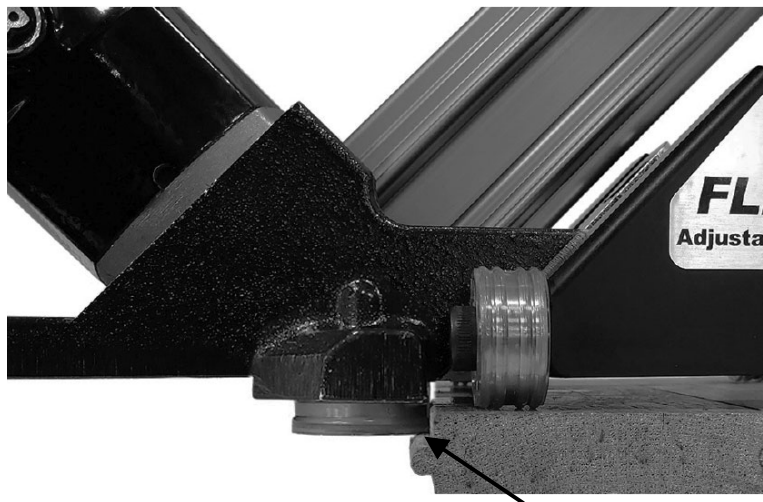
Always check your adjustment with a sample to ensure the nail is driving into the nail pocket.

Figure 1.



1. Loosen 2 hex screws.
2. Raise or lower the FLEX Foot to your wood sample.
3. Match the 9mm rollers to the nail pocket.
4. Tighten 2 hex screws.
5. Test wood sample with new adjustment.

Figure 2.



Adjust FLEX lever so the 9mm rollers are above the flooring tongue

## INSTALLING THE POWER ROLLER FOOT

### Nailer / Stapler Disassembly:

Remove any remaining fasteners from the channel.

Mount the nailer / stapler upside-down in a padded vise.

Using a 3/16" hex Allen wrench, loosen the (4) hex screws (with lock washers) from the base of the existing adapter foot (see figure 1 or figure 4).

Lift the whole adapter foot and channel assembly off of the nailer / stapler. Remove the (4) 1-1/4" hex screws from the adapter foot.

Separate the channel assembly from the old adapter foot.

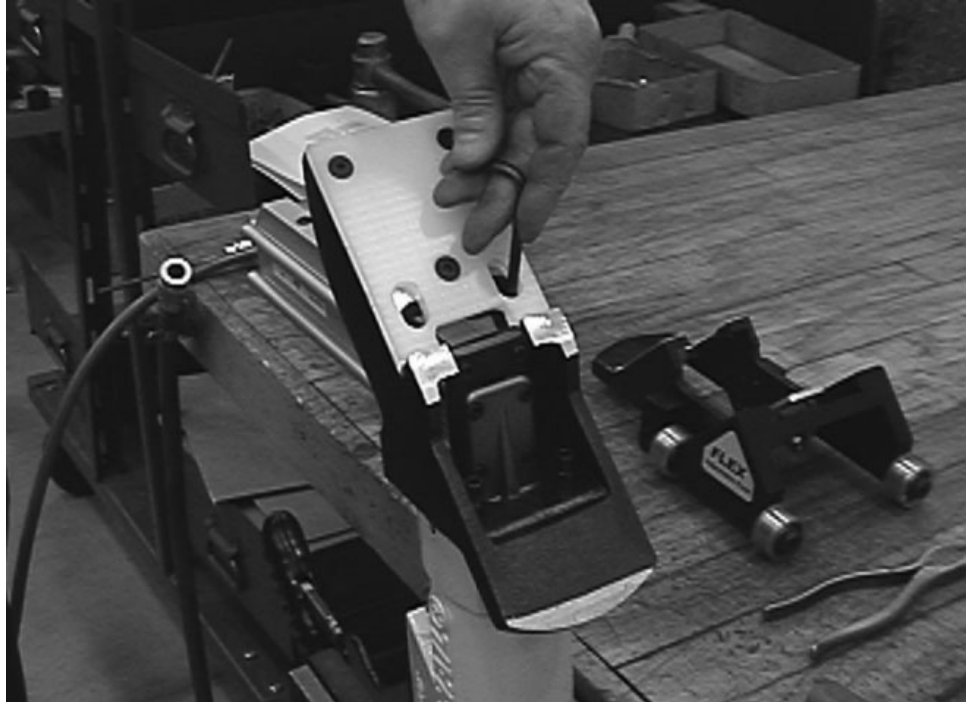


Figure 1.

### Nailer / Stapler Reassembly:

Using pliers, pull the drive blade assembly to the top of the nailer / stapler.

Install the channel assembly into position over the drive blade. Line up the drive blade with the opening in the channel assembly (see figure 2).



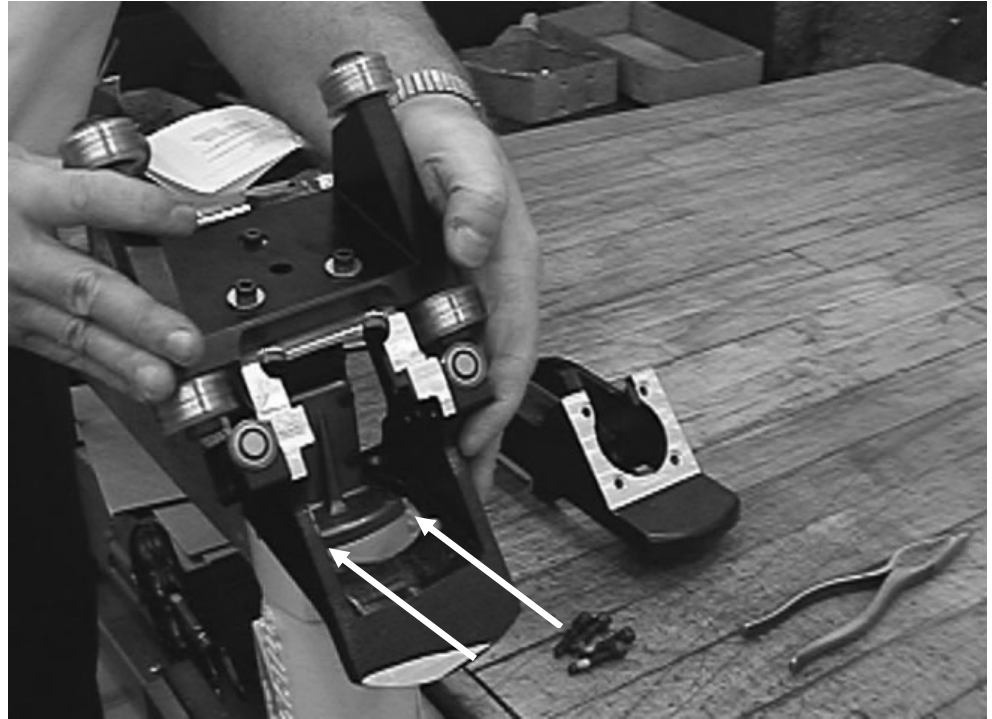
Figure 2.

## INSTALLATION (continued)

Figure 3.

Slide the Power Roller foot sideways onto the nailer / stapler and channel assembly (see figure 3).

Line up the 4 screw holes for each component; the adapter foot, the channel assembly, and the nailer / stapler body.



Replace and tighten the (4) hex screws (with lock washers) using the 3/16" hex Allen wrench.

Nailer / Stapler is ready for functional testing.

Figure 4.



*(Pictured: Model 445FS with gen 1 FLEX Power Roller installation. Installation is the same across all our FLEX products)*

## PARTS LIST - 445 / 445FS POWER ROLLER FOOT

ITEM #	PART NO.	DESCRIPTION	QTY REQ	TU	AVAIL
60	09-4453120	ROLLER ADAPTER FOOT (445/445FS ver:X)	1		S,A-16
62	09-50P3102	1/4"-20 X 3/4" F.H.C.S.	1		S
63	09-50P3077	#10-32 X 1/2" B.H.C.S.	2		S, A-16
64	09-50P3104	9MM BEARING W/ MOLDED COVER	2		S, A-1, A-2, A-16
65	09-50P3103	AXEL PIN	2		S, A-16
66	09-44529334	FLEX FOOT BRACKET	1		S
67	09-50P3073	FLEX FOOT CAM PLATE	1		S, A-16
68	09-50P3072	FLEX FOOT CAM	1		S
69	09-50P3079	BELLEVILLE DISC SPRING	1		S
70	09-50P3078	1/4 SH DIA X .50" SH. BOLT (W/PATCH)	1		S
71	09-44529875	ROLLER FLEX FOOT (445)	1		S
72	09-50P3076	WASHER .281 IDX.62 ODX.051" T	2		S
73	09-50P3075	1/4-28 X 1-1/4" S.H.C.S.	2		S
74	09-50P3097	LARGE ROLLER BEARING WITH MOLDED COVER	4		S, A-2
75	09-50P3084	ROLLER 10MM SH DIA X 16MM SH BOLT	4		S
	09-44529801	HEX WRENCH 3/16 (FLEX FOOT)	1		A-24
	09-44529802	HEX WRENCH 5/32	1		A-24

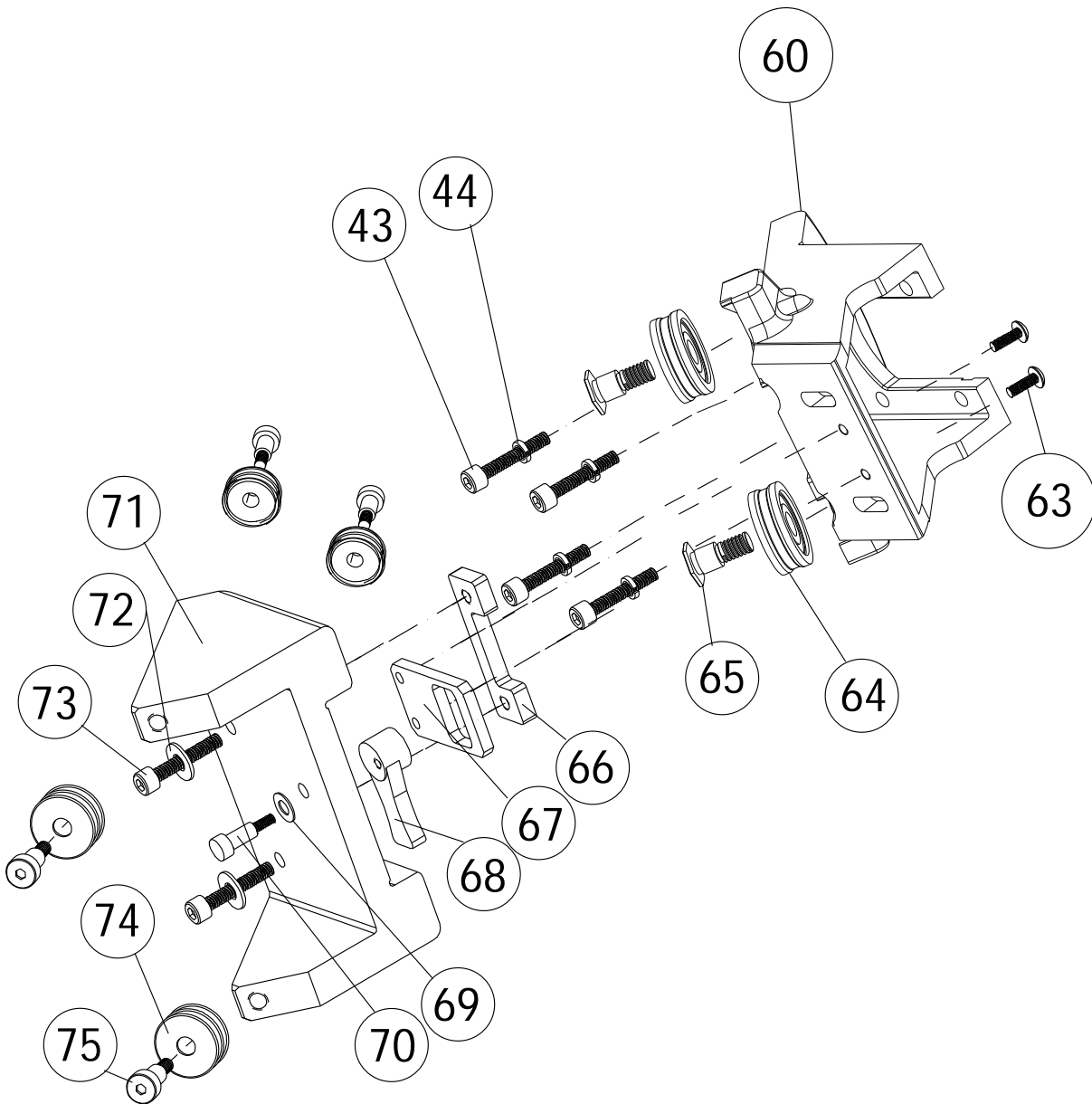
KEY: S=Sold Separately, A= Sold as part of assembly, TU=Tune-up Kit, F=Factory replacement only

### Model 445 / 445FS Power Roller Assemblies, Kits and Accessories

ITEM #	PART NO.	DESCRIPTION	QTY REQ
A-1	09-50P3104A	9MM BEARINGS W/ MOLDED COVERS (SET OF 2)	1
A-2	09-RB15FSA	COMPLETE ROLLER SET (4 LRG ROLLERS + 2 9MM ROLLERS)	1
A-4	09-44529757A	6 OZ. INDUSTRIAL LIGHT AIR TOOL OIL	1
A-5	09-2003058A	SEAL KIT (1 EACH OF ALL SEALS)	1
A-15	09-44529768	BOX WRENCH - 2 ENDS: 15/16" & 1-1/8" (2 REQ)	2
A-16	09-4453120A	ROLLER ADAPTER FOOT ASSEMBLY	1
A-24	09-AW445	ALLEN WRENCH SET	1

KEY: S=Sold Separately, A= Sold as part of assembly, F=Factory replacement only, K=Sold as part of a Kit

# SCHEMATIC - 445 / 445FS POWER ROLLER FOOT



**Kits Available - For use on all Model 445 and 445FS Powernailers**

9MM ROLLER SET	COMPLETE ROLLER SET
Part #:09-50P3104A Schematic #'s: 64(x2)	Part #: 09-RB15FSA Schematic #'s: 74(x4), 64(x2)

***For Step-by-Step Videos and Instructions,  
Visit our Web Site at: [www.Powernail.com](http://www.Powernail.com)***

## Visit [www.Powernail.com](http://www.Powernail.com)

- Dealer Locator
- Rental Locator
- Parts Store
- Product Information
- Repair Tech Videos
- Cool Tools Cleat Calculator
- Cleat Depth Chart
- Training Schools

### ***Featured Accessory Products***

#### **Powerjack® Model 500**

Truly a Tinker's TOOL, the POWERJACK Model 500 is designed to push or pull flooring strips into place and hold them tightly. The PowerJack Model 500 self adjusts from 5/16" to 3/4" thickness flooring. It can be used to either push or pull wood flooring strips into place and ratchets tightly for hands free operation. The base of the PowerJack 500 has mounting holes for mid-floor use. Simply screw nail the PowerJack 500 to your sub floor -in front of your flooring strips -and ratchet the flooring strips tight. Also great for under cabinet and kick plate installation. **Part number: PJ500**

**Powerjack  
Model 500**



#### **The PowerPalm™**

"The PowerPalm is the industries best solution to blind nailing close to the wall. Saves both, time and money!"

Pressure activated...simply press down, and let the tool do the work. The Power Palm will allow blind nailing closer to the wall and reduce the amount of face nailing. "Blind nail, top nail...tight spots and corners, the PowerPalm gets them all!" Featuring 360 degree swivel tip for fitting awkward or tight spaces. Magnetic cleat holder keeps nail in position. Uses both 16 gauge and 18 gauge Powercleats—Use the same fastener throughout your install! **Part number: PALM001**



***Closest you  
can get to  
the wall!***

**Pneumatic PowerPalm™**