

POWERNAIL® Co.

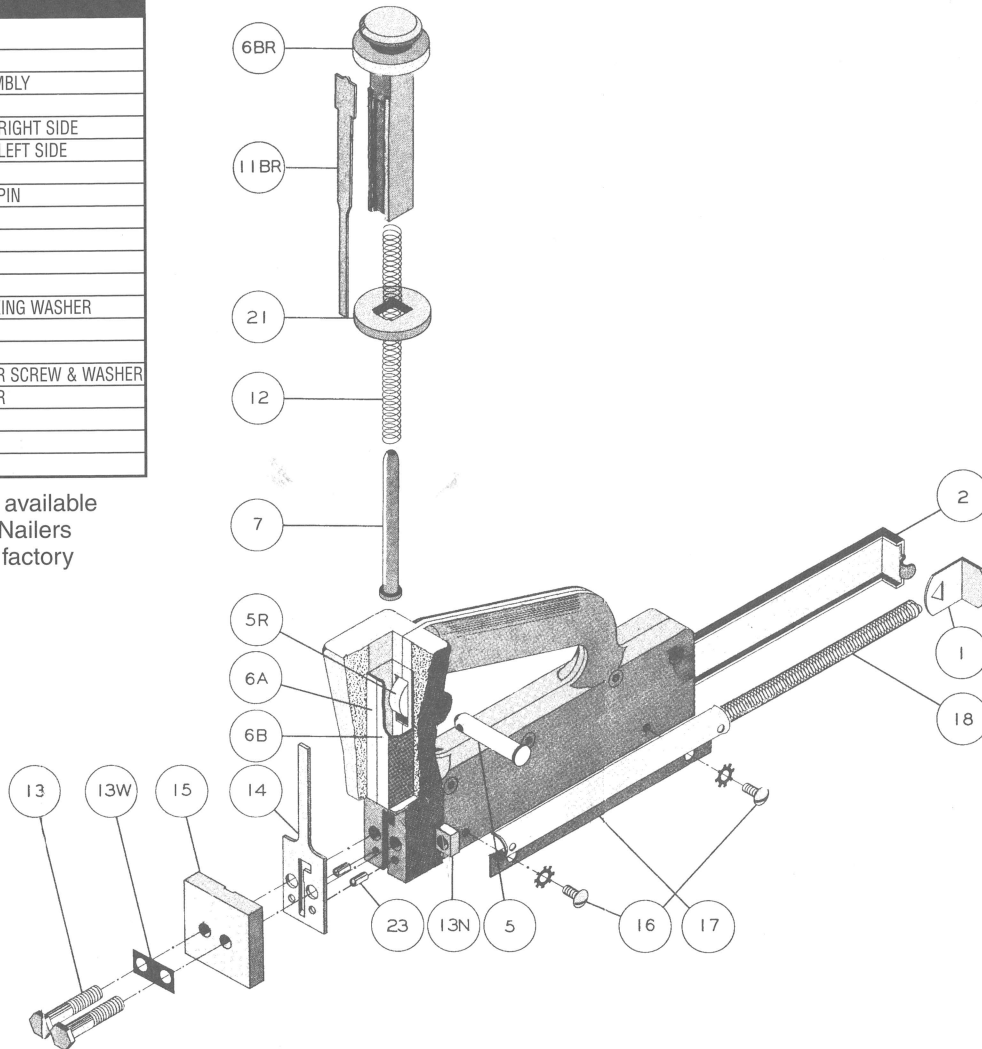
P.O. Box 300, Lincolnshire, IL 60069-0300 • 301 E. Half Day Rd., Buffalo Grove, IL 60089
 Phones: 1-800/323-1653 • 847/634-3000 • Fax : 1-800/624-5450 • 847/634-4943
 E-Mail: powernail@worldnet.att.net • Web Site: www.powernail.com

MODEL 35U UNDERLAYMENT NAILER

PARTS LIST

ITEM	DESCRIPTION
1	SPRING CLIP
2	FEEDER CHANNEL
5	ROLLER PIN ASSEMBLY
5R	ROLLER
6A	PLUNGER LINER - RIGHT SIDE
6B	PLUNGER LINER - LEFT SIDE
6BR	PLUNGER HEAD
7	PLUNGER SPRING PIN
11BR	DRIVING BLADE
12	PLUNGER SPRING
13	FOOT SCREW
13N	FOOT SCREW NUT
13W	FOOT SCREW LOCKING WASHER
14	GATE*
15	FOOT*
16	SPRING CONTAINER SCREW & WASHER
17	SPRING CONTAINER
18	FEEDER SPRING
21	BLADE RETAINER
23	DOWEL PIN

*These parts are not available through your dealer. Nailers must be returned for factory installation.



IMPORTANT
 When ordering repair parts, specify both model and serial number