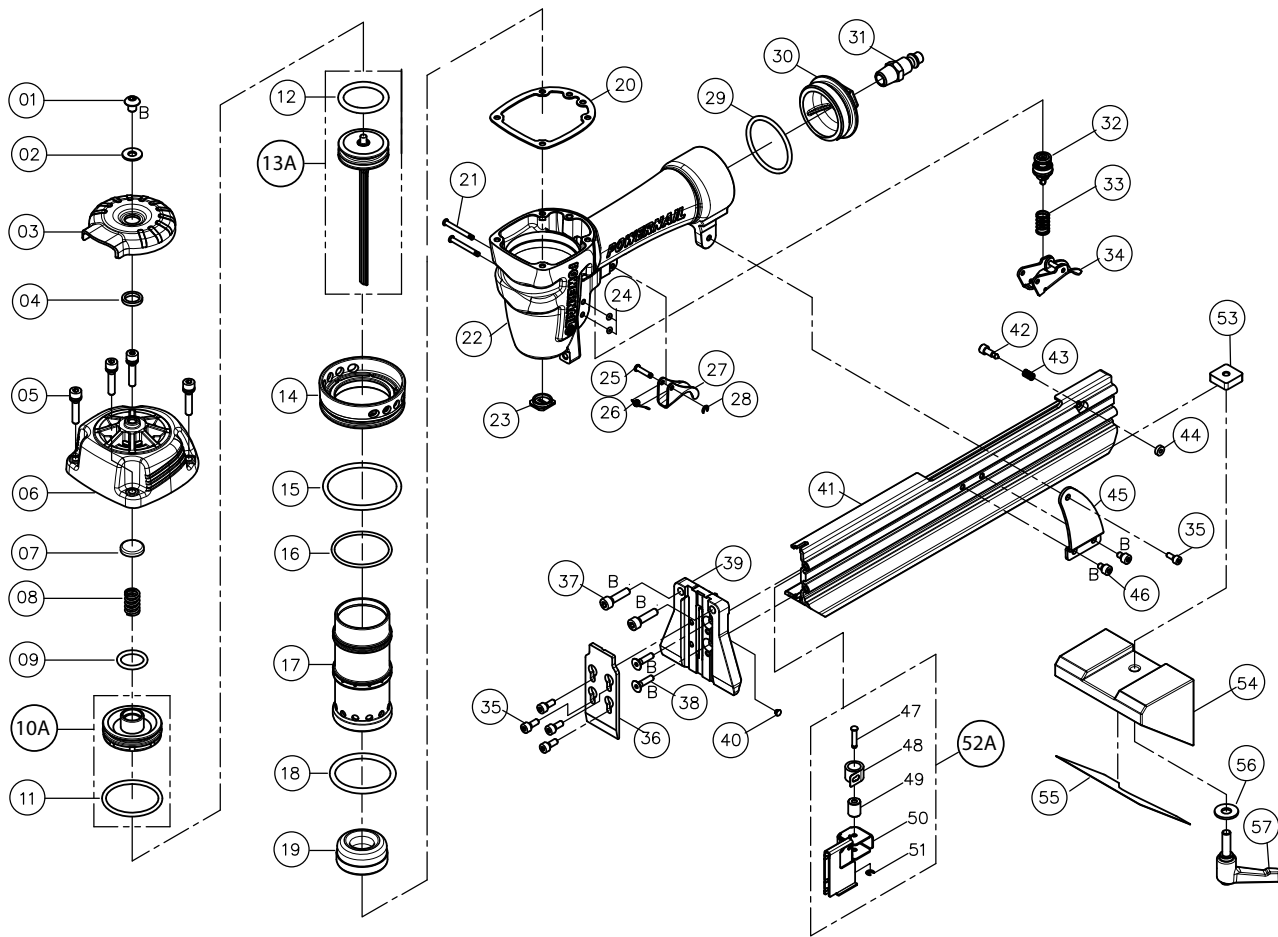


ITEM #	Description	PART #
01	Um.hd.bolt	09-18F001
02	Flat Washer	09-18F002
03	Exhaust Cover, Metal	09-18F003
04	Seal	09-18F004
05	Hex.soc.hd.bolt+Sw	09-18F005
06	Cap	09-18F006
07	Seal	09-18F007
08	Spring	09-18F008
09	O Ring	09-18F009
10	Head Valve Asm.	See #10A
#10A	Head Valve Assembly with O-Ring	09-18F010A
11	O Ring	09-18F011
12	O Ring	09-18F012
13	Driver Assembly	See #13A
13A	Driveblade/Seal Asm.	09-18F013A
14	Cylinder Ring	09-18F014
15	O Ring	09-18F015
16	O Ring	09-18F016
17	Cylinder	09-18FS017
18	O Ring	09-18FS018
19	Bumper	09-18F019
20	Cylinder Cap Seal	09-18F020
21	Stepped Pin	09-18F021
22	Body	n/a
23	Joint Guide	09-18F023
24	O Ring	09-18F024
25	Stepped Pin	09-18F025
26	Tor. Spring	09-18F026
27	Trigger	09-18F027
28	E Ring	09-18F028
29	O Ring	n/a
30	Cover	n/a
31	Air Plug	n/a
32	Trigger Valve Assembly	09-18F032
33	Spring	09-18F033
34	Bump Fire Trigger	09-18F034

ITEM #	Description	PART #
35	Hex.soc.hd.bolt	09-18F035
36	Driver Guide Cover	09-18F036
37	Hex.soc.hd.bolt	09-18F037
38	Flat. Hd.bolt	09-18F038
39	Nose	09-18F039
40	Anchor	09-18F040
41	Magazine	09-18F041
42	Stopper	09-18F042
43	Spring	09-18F043
44	Rubber Washer	09-18F044
45	Bracket	09-18F045
46	Hex.soc.hd.bolt	09-18F046
47	Stepped Pin	See #52A
48	Spring	See #52A
49	Roller	See #52A
50	Pusher	See #52A
51	E Ring	See #52A
52A	Pusher Assembly	09-18F052A
53	Flex Foot Lock Nut	09-18F053
54	Flex Foot Base	09-18F054
55	No-Mar Pad	09-18F055
56	Flat Washer	09-18F056
57	Flex Foot Adjustment Lever	09-18F057

POWERNAIL MODEL 1845F SCHEMATIC



REV: 19.01.24