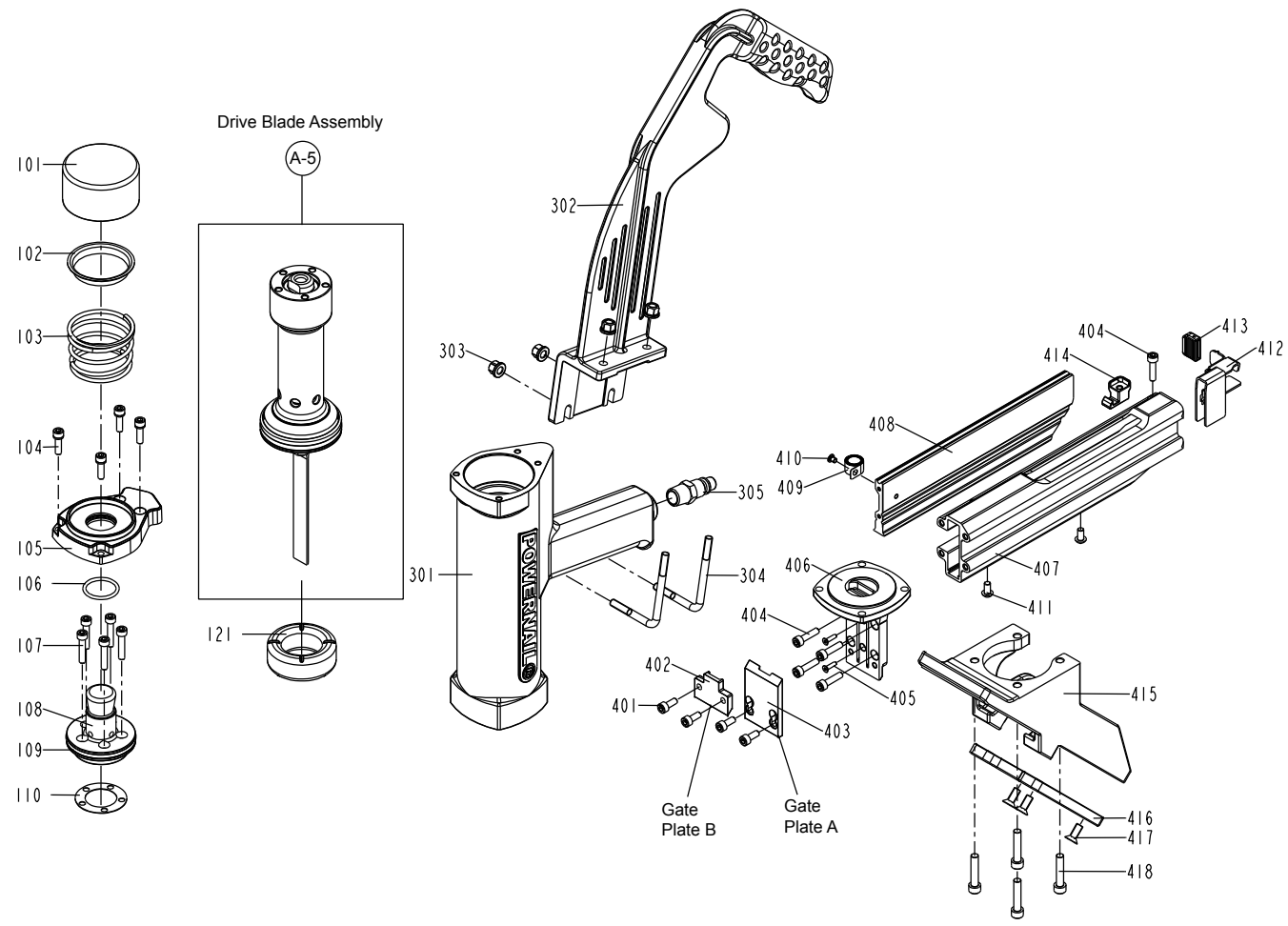


| Item # | PART NO.     | DESCRIPTION                     |
|--------|--------------|---------------------------------|
| 101    | 09-15FS-101  | Rubber Cap                      |
| 102    | 09-15FS-102  | Spring Seat                     |
| 103    | 09-15FS-103  | Compression Spring (Rubber Cap) |
| 104    | 09-15FS-104  | Bolt Assembly                   |
| 105    | 09-15FS-105  | Metal Cap                       |
| 106    | 09-15FS-106  | O-Ring (Metal Cap)              |
| 107    | 09-15FS-107  | Hex Socket Head Bolt            |
| 108    | 09-15FS-108  | Plunger                         |
| 109    | 09-15FS-109  | O-Ring (Plunger)                |
| 110    | 09-15FS-110  | Return Cylinder Gasket          |
| A-5    | 09-15FS-120A | Drive Blade Assembly            |
| 121    | 09-15FS-121  | Bumper                          |
| 301    | 09-15FS-301  | Body (Not Sold Separately)      |
| 302    | 09-15FS-302  | Handle                          |
| 303    | 09-15FS-303  | Nut                             |
| 304    | 09-15FS-304  | Handle Bracket </td             |
| 305    | 09-445-5418  | Air Fitting (3/8" x 1/4" )      |
| 401    | 09-15FS-401  | Hex Socket Head Bolt            |
| 402    | 09-15FS-402  | Gate Plate B                    |
| 403    | 09-15FS-403  | Gate Plate A                    |
| 404    | 09-15FS-404  | Hex Socket Head Bolt            |
| 405    | 09-15FS-405  | Counter Sunk Screw              |
| 406    | 09-15FS-406  | Steel Foot                      |
| 407    | 09-15FS-407  | Staple Channel                  |
| 408    | 09-15FS-408  | Center Channel                  |
| 409    | 09-15FS-409  | Spring                          |
| 410    | 09-15FS-410  | Special Screw                   |
| 411    | 09-15FS-411  | Half-Round Head Hex Bolt        |
| 412    | 09-15FS-412  | Pusher                          |
| 413    | 09-15FS-413  | Pusher Lever Cover              |
| 414    | 09-15FS-414  | Latch                           |
| 415    | 09-15FS-415  | Adapter Foot                    |
| 416    | 09-445-29738 | 3/4" Adapter Pad                |
| 417    | 09-15FS-417  | Adapter Pad Screw               |
| 418    | 09-15FS-418  | Hex Socket Head Bolt            |

## POWERNAIL MODEL 15FS SCHEMATIC



REV: 2016.06.08