

POWERNAIL® CO.

1300 Rose Road, Lake Zurich, IL 60047

Phone: 1-800-323-1653

Website: www.powernail.com

Operation and Maintenance Manual

MODEL 101R SURFACE NAILER



WARNING

Read this manual before you use this Nailer. Follow all safety warnings and instructions. If you are uncertain about the operation of the Nailer, call us directly at 1-800-323-1653 for assistance or contact the closest Powernail Dealer for help. Please retain this information for future reference.

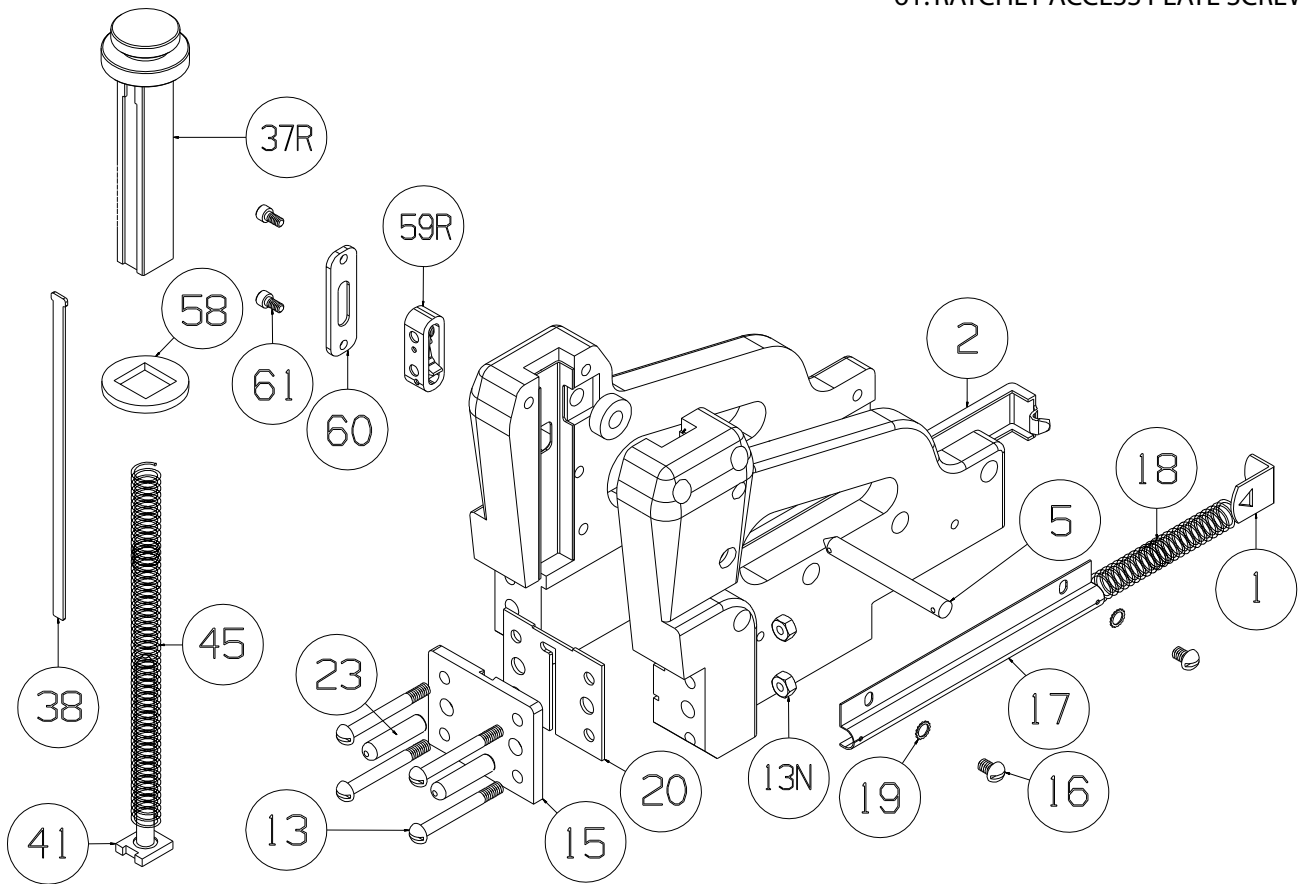
REV 7.08

MODEL 101R EXPLODED VIEW

- 1. SPRING CLIP
- 2. FEEDER CHANNEL
- 5. ROLLER PIN ASSEMBLY
- 13. FOOT SCREW
- 13N. FOOT SCREW NUT
- 15. FOOT*

- 16. SPRING CONTAINER SCREWS
- 17. SPRING CONTAINER
- 18. FEEDER SPRING
- 19. SPRING CONTAINER LOCK WASHER
- 20. GATE*
- 23. DOWEL PIN

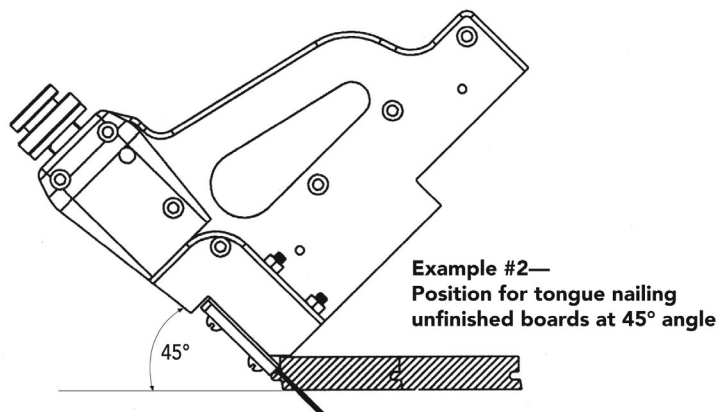
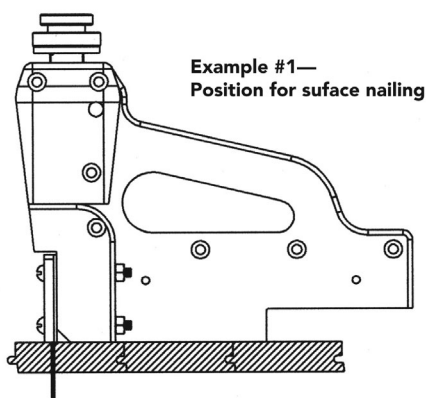
- 37R. PLUNGER
- 38. DRIVING BLADE
- 41. PLUNGER SPRING PIN
- 45. PLUNGER SPRING
- 58. BLADE RETAINER
- 59R. RATCHET ASSEMBLY
- 60. RATCHET ACCESS PLATE
- 61. RATCHET ACCESS PLATE SCREW



MODEL 101R PARTS LIST

ITEM #	PART NO.	DESCRIPTION	QTY REQ'D
1	08-45-00-010	SPRING CLIP	1
2	08-45-00-020	FEEDER CHANNEL	1
5	08-45-00-050	ROLLER PIN ASSEMBLY	1
13	08-45-00-130	FOOT SCREW	4
13N	08-45-00-13N	LOCKNUT	4
15	08-10100150	FOOT	1
16	08-45-00-160	SCREW & WASHER SET FOR SPRING CONT. (2 EA)	1
17	08-45-00-170	SPRING CONTAINER	1
18	08-45-00-180	FEEDER SPRING	1
19	08-10100200	SPRING CONTAINER LOCK WASHER	2
20	08-10100200	GATE	1
23	08-45-00-230	DOWEL PIN	2
37R	08-10100250	HANDLE ASSEMBLY	1
38	08-10100380	DRIVING BLADE	1
41	08-4500410	PLUNGER SPRING PIN	1
45	08-4500450	PLUNGER SPRING	1
58	08-4500580	BLADE RETAINER	1
59R	08-45R0059	RATCHET ASSEMBLY	1
60	08-4500710	RATCHET ACCESS PLATE	1
61	09-44529754	RATCHET ACCESS PLATE SCREW	2

MODEL 101R NAILING EXAMPLES

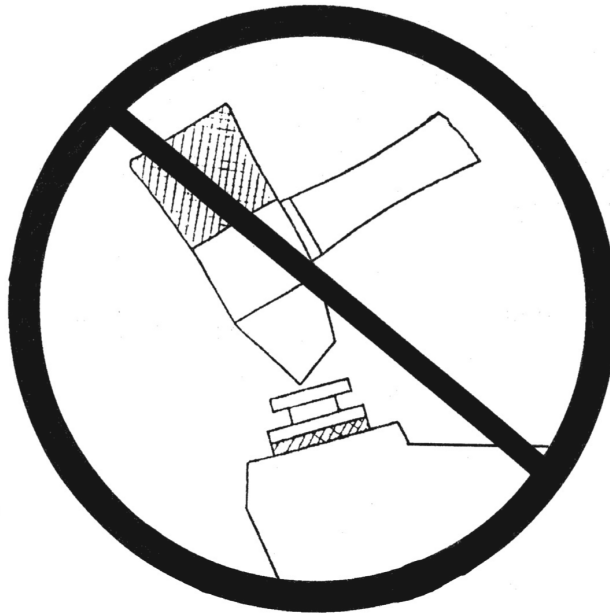


REPLACING #38 DRIVING BLADE

1. Remove #5 Roller Pin—save Cotter Pin.
2. Holding Nailer in left hand with Nailer tilted so rear of Nailer is down, depress #37R Plunger Head slightly so #5R Roller is released from Plunger Head.
3. Remove #37R Plunger Head from Body of Nailer by lifting straight out of Body.
4. Remove #38 Driving Blade from under #58 Rubber Blade Retainer. Discard Blade.
5. Insert new #38 Driving Blade with face of Blade stamped "Front" facing front of Nailer, under #58 Rubber Blade Retainer until the "T" section at top of Blade fits into milled slot under Plunger Head. Push #58 Rubber Blade Retainer flush to underside of Plunger Head.
6. Holding Nailer in left hand with Nailer so rear of Nailer is down, slowly insert Plunger Head and Driving Blade Assembly into Nailer Body, making certain the #45 Plunger Spring is inserted into hole in Plunger Head.
7. While in this position, reinsert the #5 Roller Pin and Cotter Pin.
8. Installation is complete and Nailer is ready to use.

CAUTION

Using a mallet in the manner shown below will not only break the plunger head, but may also damage the nailer body to the point where factory repairs cannot be made.



WARNING! DO NOT USE METAL ENDS OF A MALLET TO STRIKE POWERNAILER® NAILERS