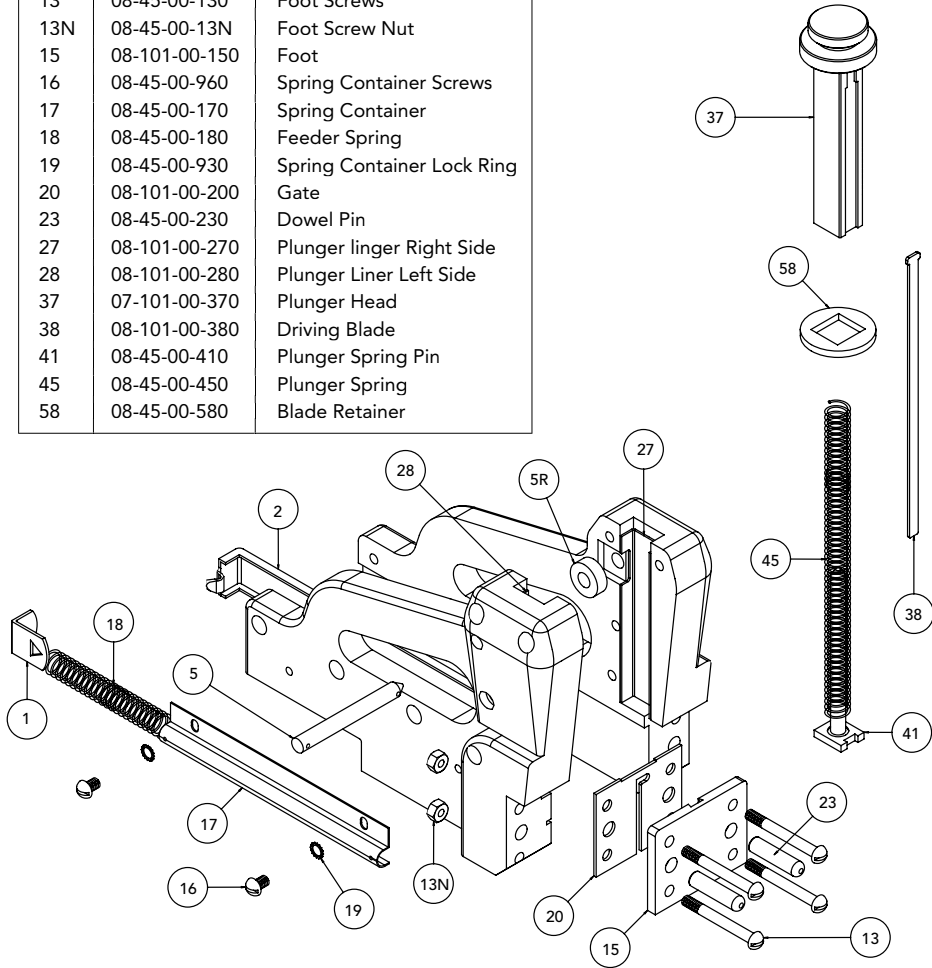


# POWERNAIL MODEL 101 SCHEMATIC

Parts List		
Item	Part No.	Description
1	08-45-00-010	Spring Clip
2	08-45-00-020	Feeder Channel
5	08-45-00-050	Roller Pin Assembly
5R	08-45-00-05R	Roller
13	08-45-00-130	Foot Screws
13N	08-45-00-13N	Foot Screw Nut
15	08-101-00-150	Foot
16	08-45-00-960	Spring Container Screws
17	08-45-00-170	Spring Container
18	08-45-00-180	Feeder Spring
19	08-45-00-930	Spring Container Lock Ring
20	08-101-00-200	Gate
23	08-45-00-230	Dowel Pin
27	08-101-00-270	Plunger linger Right Side
28	08-101-00-280	Plunger Liner Left Side
37	07-101-00-370	Plunger Head
38	08-101-00-380	Driving Blade
41	08-45-00-410	Plunger Spring Pin
45	08-45-00-450	Plunger Spring
58	08-45-00-580	Blade Retainer

**IMPORTANT**  
When ordering repair parts, specify both model and serial number



## MODEL 101 NAILING EXAMPLES

