

POWERNAIL® CO.

Model 15FS Pneumatic PowerStapler™



OPERATION AND MAINTENANCE MANUAL MANUAL DE OPERACION Y DE MANTENIMIENTO MANUEL D'INSTRUCTIONS ET D'ENTRETIEN

WARNING



Read this manual before you use this PowerStapler®. Follow all safety warnings and instructions. If you are uncertain about the operation of the stapler, call us directly at 1-800-323-1653 for assistance or contact the closest Powernail Dealer for help. Please retain this information for future reference.

INTRODUCTION

The PowerStapler® Model 15FS Mallet Actuated Pneumatic Stapler is designed to bring Powernail quality to a pneumatic stapler. For those looking for ease of use in a pneumatic tool, the PowerStapler Model 15FS provides several distinct advantages. The Model 15FS can staple 3/4" flooring down to 1/2" tongue and groove hardwood flooring through the use of easy-to-change, no-mar adapter plates. The Model 15FS is designed for use with 1-1/2", 1-3/4" and 2" PowerStaples®.

INDEX

Index.....	2	Parts List.....	6
Warranty.....	2	Schematic	7
Safety Instructions.....	3	Safety Labels.....	8
Operating Instructions.....	4	Troubleshooting Chart.....	9
Parts & Service.....	6-7	Depth Chart.....	10
Drive Blade Change	5	Accessory Products.....	11
Plunger O-Ring		Powernail Company Info.....	12
Replacement.....	5		

LIMITED WARRANTY

POWERNAIL® Company, Inc. warrants to its customer, and to the first end-use purchaser of POWERNAIL 15FS flooring stapler purchased from an authorized POWERNAIL distributor, that each serialized manufactured stapler by POWERNAIL®, for a period of 12 months from the date of purchase; shall be free of defects in materials and workmanship and will meet POWERNAIL's specifications in effect at the time of Product shipment. POWERNAIL will repair or replace, at its option, any Powernailer® that does not conform to this warranty. Claims must be made no later than fifteen (15) days after the end of the warranty period. POWERNAIL will perform all repair or replacements itself or through its authorized contractors. POWERNAIL is not responsible for shipping, labor or other direct or indirect costs. Damage caused by abuse, misuse, unusual or excessive wear is excluded. Repair or modification of the Products by unauthorized parties will void this warranty. The customer is responsible for returning Products to POWERNAIL for verification of nonconformance.

THESE WARRANTIES AND REMEDIES ARE EXCLUSIVE OF ALL OTHERS, EXPRESS OR IMPLIED. THE WARRANTIES OF MERCHANTABILITY AND FITNESS FOR PURPOSE ARE EXPRESSLY EXCLUDED. IN NO EVENT SHALL POWERNAIL'S LIABILITY FOR A WARRANTY CLAIM EXCEED THE PRICE PAID TO POWERNAIL FOR THE NONCONFORMING PRODUCT, REGARDLESS OF THE FORM OR BASIS OF THE CLAIM OR CAUSE OF ACTION.

SAFETY INSTRUCTIONS



Always use approved **SAFETY GLASSES** and **EAR PROTECTION** when operating this stapler. The operator and others in the work area should always wear approved **FRONT** and **SIDE** eye protection when operating this stapler. Eye protection will help guard against flying staples and debris, which could cause severe eye injury.



EYE AND EAR PROTECTION should be used to prevent hearing damage when there are high noise levels in the work area.

ALWAYS use ear plugs with a noise reduction rated at 29 db or higher at a construction site.

Stapler noise ratings are at LPA-1sd=90.6,
LWA-1sd=99.3 and LPA-1s,1m=86.3.
Stapler vibration rating: m/s²=3.05.

Always **DISCONNECT THE AIR SUPPLY** before making any adjustments, repairing, clearing jams or when the stapler is not in use. Do not use on scaffolding or ladders and disconnect stapler from air supply when transporting between installation areas.

Never attach the female end of a quick disconnect to the stapler. This will trap air inside the Stapler and permit it to be discharged. Only the unrestricted male connection should be attached to the Stapler.

Stapler requires an air source that can continuously deliver 80 to 110 psi at 3-1/2 cubic feet of air per minute for operation.

Normal air pressure should not exceed 120 psi or damage to the Stapler and seals may occur. Excess air pressure can cause the Stapler to explode.

To prevent fire or explosion, use only regulated compressed air—do not use bottled gases of any kind (no oxygen or combustible gasses) to power this Stapler.

Stapler is intended for use installing wood flooring and is not to be used for purposes not specified in the operations manual.

Do not use any staples other than Powernail PowerStaples which are specifically designed for use in any Powerstapler. Powernail staples are available in various lengths. Contact your Powernail Dealer for PowerStaples.

Use only Powernail replacement parts in the repair or maintenance of this stapler. Parts or repair services are available from the manufacturer or from agents authorised by the manufacturer. Repairs should be carried out only by trained service personnel in the field of fastener driving tools who will observe proper safety controls while performing maintenance. Service personnel should be qualified to assess the safe working condition of fastener driving tools.



Never place any part of the body in the discharge path of the Stapler when air is connected to the Stapler. Always make sure Stapler is empty of staples before connecting air hose so as to prevent any accidental discharge from occurring.

Never leave the Stapler unattended while it is connected to an air supply.

Whenever air is connected to the Stapler, keep body parts away from the staple discharge path. Disconnect the air line before making adjustments or repairs on the stapler. Only connect air to an unloaded stapler so as to prevent accidental discharge.

OPERATING INSTRUCTIONS

Consult the staple depth chart for the appropriate adapter pad to use with the thickness of flooring you are installing and the selection of Powercleat® length.

Rack the flooring into place with the rubber end of the mallet supplied with the Stapler

Place the Stapler Adapter Foot on the tongue-edge of the flooring strip to be stapled. Be sure the Adapter Foot is pressed tightly against the edge of the flooring strip above the tongue.

Be sure flooring strips are racked tightly. Strike the stapler rubber cap with the rubber capped end of the mallet to discharge the Stapler.

WARNING: Never hit the Stapler with excessive force or with the metal end of the mallet, this will damage the Stapler.

DO NOT USE THE METAL END OF THE MALLET TO ACTIVATE THE STAPLER, use the rubber capped end only.

Before each use, check all screws to be sure they are tight. Shock and vibration can loosen screws. Do not over tighten any screw.

AIR SUPPLY:

The air must be clean and dry. Dirty and/or wet air will damage the Stapler.

Drywall Dust:

- Using Pneumatic PowerStaplers in drywall dust conditions will dramatically decrease the life of the Stapler.
- Drywall dust is abrasive, when cycled through the Stapler it will cause excessive wear.

The air source must continuously deliver 80 to 110 psi at 3-1/2 cubic feet of air per minute to operate the Stapler. For operation, connect a 1/4" minimum internal diameter and clean air hose to the Stapler. Be sure the air regulator is set at 90 psi. If the staple is not countersunk below the surface of the wood, turn up the air pressure, but not over 110 psi.

Check for air supply leaks that waste air and starve the Stapler of air thereby reducing its performance. There should be no orifice smaller than 1/4" in the air path between the Regulator and the Stapler.

LUBRICATION:

You must lubricate the Stapler manually. The frequency of lubrication is dependent upon the duty cycle of the Stapler. Continuous duty requires more frequent oiling than intermittent duty.

At least every eight (8) hours place two to four drops of Air Tool Oil into the disconnected air line male connector attached to the Stapler.

WARNING: Do not over lubricate the Stapler, excess oil mist or drops will be vented with spent air when over lubricated. Excess oil could stain the wood flooring, walls or furnishings. Dry fire the Stapler, without staples, to purge excess oil, before you begin to staple down flooring. Before storing the Stapler, lubricate and cycle the Stapler in insure internal parts are oil protected from corrosion.

WARNING: Detergent oil is not recommended and may damage the seals.

TO LOAD MODEL 15FS:

Pull back the spring loaded pusher lever until it locks.

Place two sticks (90) PowerStaples into the Staple Channel Feed slot.

Pull up on the pusher lever to unlock & slowly.

Release it behind the staples.

TO UNLOAD MODEL 15FS:

To remove staples from the channel, pull back on the staple pusher until it locks. Tilt the stapler back, the staples will slide back & can be removed.

PARTS & SERVICE:

When ordering parts include the part number, part description, PowerStapler model and serial number.

Be sure to state the quantity of the part(s) required. Contact your Powerstaple Dealer for the necessary parts.

WARNING: Never work on the Stapler if the air line is attached. Always disconnect the air line from the Stapler first.

OPERATING INSTRUCTIONS, *continued*

To Clear a Staple Jam:

Loosen the two screws with a 4mm allen wrench on the gate plate.

Slide the gate plate down & remove which will allow you to inspect & clear a jam.

Replace the gate plate & tighten both screws with 4mm allen wrench.

Plunger O-Ring Replacement:

Remove rubber cap from plunger head.

Remove large compression spring.

Remove four screws from metal cap using a 4mm Allen wrench.

Hold plunger head from turning & remove five Allen screws using a 4mm allen wrench.

Pull plunger out of stapler body.

Remove O-Ring & Replace.

Coat new O-Ring with pneumatic tool oil.

Check condition of Return Cylinder gasket & replace if necessary.

Re-Install plunger with new O-ring.

Line up five screw holes in the plunger with five holes in the return cylinder & gasket.

Install five screws holding the plunger head so it doesn't turn, torque each screw tight .

Re-install metal cap & four screws using a 4mm allen wrench.

Re-install the large compression spring & rubber cap.

Return Cylinder Gasket Replacement

See Plunger O-ring Replacement.

Rubber Bumper Replacement:

Turn stapler upside down & remove four allen foot screws using a 5mm allen wrench.

Remove the adapter foot & staple channel.

Remove large rubber bumper .

Install new rubber bumper & slide staple channel onto drive blade.

Install adapter foot with four screws using 5mm allen wrench.

Turn stapler right side up.

Drive Blade Assembly Replacement:

Remove Rubber cap from plunger head.

Remove large compression spring.

Remove four screws from metal cap using a 4mm allen wrench.

Hold plunger head from turning & remove five allen screws using a 4mm allen wrench.

Pull plunger out of stapler body & remove return cylinder gasket.

Turn stapler upside down & remove four allen foot screws using a 5mm allen wrench.

Remove the adapter foot & staple channel.

Remove large rubber bumper.

Pull out complete drive blade assembly.

Coat the new drive blade piston O-ring with pneumatic tool oil.

Install new drive blade assembly into stapler body .

The staple drive blade has a bevel at the tip; the bevel needs to face towards the handle of the stapler.

Install rubber bumper & slide staple channel onto drive blade.

Install adapter foot with four screws using 5mm allen wrench.

Turn stapler right side up .

Install return cylinder gasket & install plunger, align holes with gasket & return cylinder.

Hold plunger head from turning & torque each of the five screws tight using 5mm allen wrench.

Install metal cap & four screws using 4mm allen wrench.

Install large compression spring & Rubber cap.

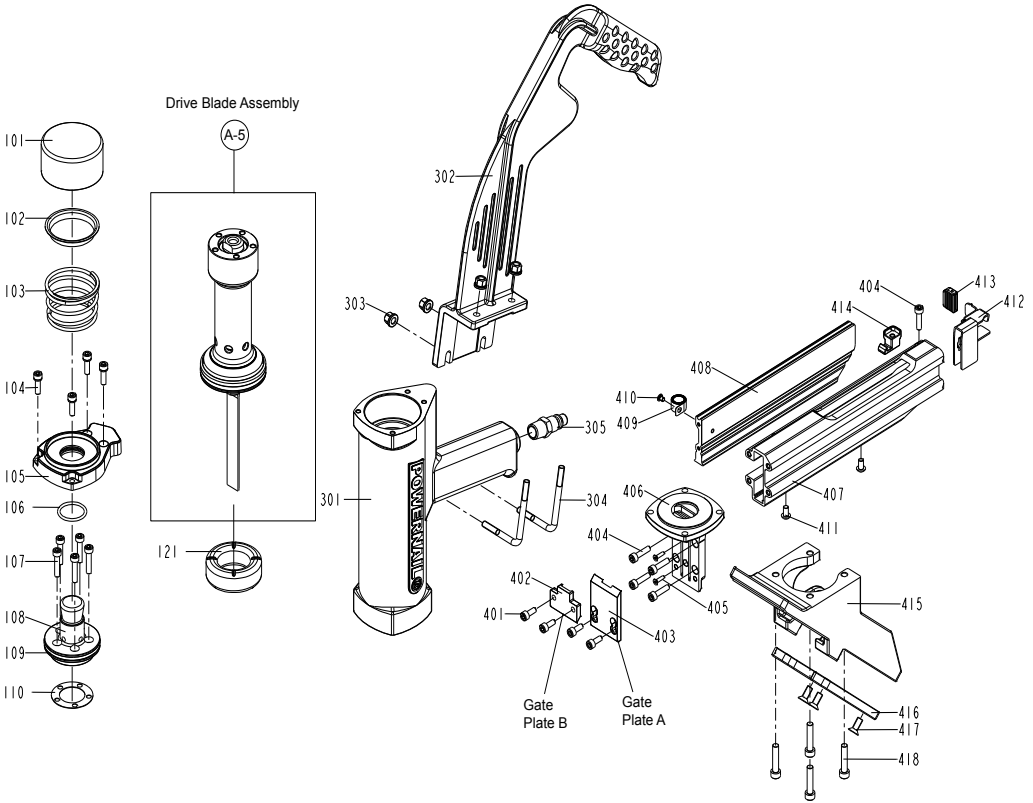
MODELS 15FS PARTS LIST

**For this parts list and other Powernailer schematics, please visit the
Powernail Parts Store at <http://www.powernail.com>**

Item #	PART NO.	DESCRIPTION	Qty Req'd	Sold Separate or Assembly #
101	09-15FS-101	Rubber Cap	1	S
102	09-15FS-102	Spring Seat	1	S
103	09-15FS-103	Compression Spring (Rubber Cap)	1	S
104	09-15FS-104	Bolt Assembly	4	S
105	09-15FS-105	Metal Cap	1	S
106	09-15FS-106	O-Ring (Metal Cap)	1	S
107	09-15FS-107	Hex Socket Head Bolt	5	S
108	09-15FS-108	Plunger	1	S
109	09-15FS-109	O-Ring (Plunger)	1	S
110	09-15FS-110	Return Cylinder Gasket	1	S
A-5	09-15FS-120A	Drive Blade Assembly	1	A-5
121	09-15FS-121	Bumper	1	S
301	09-15FS-301	Body (Not Sold Separately)	1	N/A
302	09-15FS-302	Handle	1	S
303	09-15FS-303	Nut	4	S
304	09-15FS-304	Handle Bracket	2	S
305	09-445-5418	Air Fitting (3/8" x 1/4")	1	S
401	09-15FS-401	Hex Socket Head Bolt	4	S
402	09-15FS-402	Gate Plate B	1	S
403	09-15FS-403	Gate Plate A	1	S
404	09-15FS-404	Hex Socket Head Bolt	4	S
405	09-15FS-405	Counter Sunk Screw	2	S
406	09-15FS-406	Steel Foot	1	S
407	09-15FS-407	Staple Channel	1	S
408	09-15FS-408	Center Channel	1	S
409	09-15FS-409	Spring	1	S
410	09-15FS-410	Special Screw	1	S
411	09-15FS-411	Half-Round Head Hex Bolt	2	S
412	09-15FS-412	Pusher	1	S
413	09-15FS-413	Pusher Lever Cover	1	S
414	09-15FS-414	Latch	1	S
415	09-15FS-415	Adapter Foot	1	S
416	09-445-29738	3/4" Adapter Pad	1	A-3
417	09-15FS-417	Adapter Pad Screw	3	S
418	09-15FS-418	Hex Socket Head Bolt	4	S

KEY: S=Sold Separately, A= Sold as part of assembly

15FS PowerStapler SCHEMATIC VIEW



Assemblies, Kits & Accessories

ITEM #	PART NO.	DESCRIPTION	QTY. REQ'D
A-2	09-445-29737	5/8" Adapter Pad	1
A-3	09-445-29738	3/4" Adapter Pad	1
A-4	09-445-29757A	6 Oz. Air Tool Oil	1
A-5	09-15FS-120A	DRIVE BLADE ASSEMBLY: Whole assembly is necessary, individual parts not sold separately.	1

**For Step-by-Step Videos and Instructions,
Visit our Web Site at: www.Powernail.com**

STAPLER SAFETY DECALS

Warning!



• Read and understand the tool labels and manuals before operating. • Operators and others in work area **MUST** wear **EYE** and **EAR** protection. • Use



safety glasses with side shields. • **NEVER** point tool at yourself or others in the work area. • Only



connect air to an unloaded tool and always keep tool pointed in a safe direction. • Disconnect air when clearing jams, servicing or when tool is not in use. • Use only clean, dry, regulated air not exceed



110 psi. • Never use oxygen or other bottled gasses-explosion may occur. • To prevent accidental discharge, never attach air hose to loaded nailer.



CAUTION:

Lubricate

Nailer with 2-4 drops
of Industrial Light Oil
for every 8 hours of use.

MODEL 15 FS

15.5 GA. Pneumatic Powerstapler™

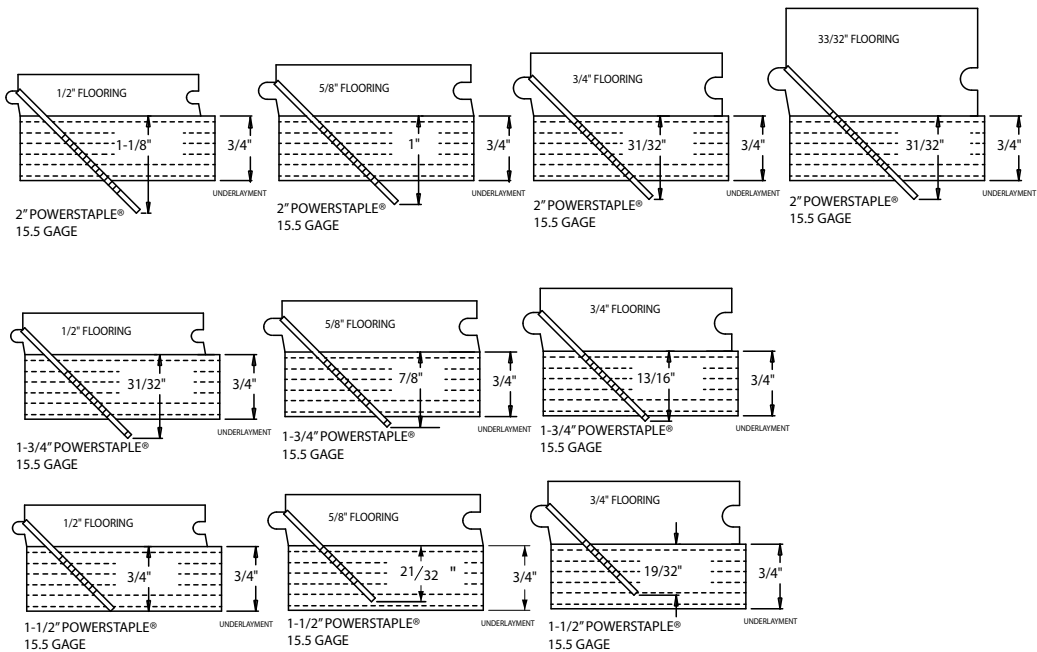
PowerStapler 15FS Trouble Shooting Chart

PROBLEM		POSSIBLE CAUSE	SOLUTION
1	Driving blade does not retract	1. Zero or Low air pressure	Check air supply for 80 psi minimum to 110 psi maximum
		2. Lack of lubrication	Manually lubricate through male air inlet fitting
		3. Excessive dirt inside Stapler	Disassemble and clean
		4. Bent or burred driving blade	Replace driving blade assembly (A-5)
		5. Seals worn out	Replace driving blade assembly (A-5)
2	Driving blade retracts slowly	1. Low air pressure	Turn up air pressure to 80-110 psi max
		2. Lack of lubrication	Manually lubricate through male air inlet fitting
		3. Air supply restricted by small orifice	Use 1/4" minimum diameter air fittings
		4. Excessive dirt inside nailer	Disassemble, clean and lubricate
3	Staple is not countersunk	1. Low air pressure	Turn up air pressure to 80-110 psi max
		2. Broken Driving Blade	Replace driving blade assembly (A-5)
		3. Stapler hit hard surface	Move from obstruction
		4. Worn out gate and/or gate plates	Replace gate (406-Gate, 402 and 403-Gate plates)
4	Stapler leaks air	1. Air supply fittings loose	Tighten all air line fitting connections
		2. Dry wall dust in Stapler	Rebuild Stapler, Replace driving blade assembly (A-5)
		3. Excess air pressure blew out seals	Check air supply for 110 psi maximum—Replace driving blade assembly (A-5)
		4. Plunger screws loose	Tighten the 5 plunger screws (107)
		5. Cracked or damaged body	Replace Stapler
		6. Seals worn out	Replace driving blade assembly (A-5)
5	Bottom of stapler cracked off	1. Operated without rubber bumper installed	Replace damaged parts
		2. Excessive air pressure used	Replace damaged parts
6	Staples jam in nailer	1. Not using Powerstapler™ Staples	Use Powerstapler™ Staples only (2", 1-3/4", 1-1/2" Lengths)
		2. Continued use after a short hit	Clear staple immediately after short hit
		3. Staple pusher damaged or spring broken	Replace staple pusher assembly (412 or 409)
		4. Staple channel loose	Tighten staple channel retaining screws (411)
		5. Bent staple stuck in gate or gate plates	Remove gate plates B & A and clear out bent staple (402, 403)
		6. Hit another set staple or hard object	Move from obstruction
		7. Stapler gate worn out	Replace staple gate (402, 403)
7	Plunger locked up—won't move or fire	1. Lack of lubrication	Manually lubricate through male air inlet fitting

POWERSTAPLE DEPTH CHART

This chart will assist you in determining the proper length of PowerStaple® to use for various thicknesses of flooring. Approximate vertical penetration of the PowerStaple under the hardwood floor is shown for each application.

This is only a guide. Results should be tested in the field before proceeding.



[Visit www.Powernail.com](http://www.Powernail.com)

- Dealer Locator
- Rental Locator
- Parts Store
- Product Information
- Repair Tech Videos
- Cool Tools Cleat Calculator
- Cleat Depth Chart
- Training Schools

Featured Accessory Products

Powerjack® Model 500

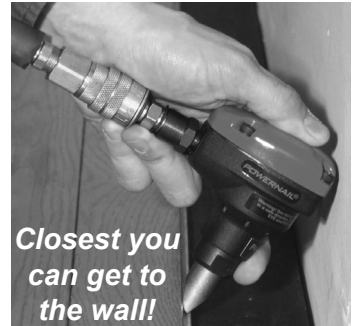
Truly a Tinker's TOOL, the POWERJACK Model 500 is designed to push or pull flooring strips into place and hold them tightly. The PowerJack Model 500 self adjusts from 5/16" to 3/4" thickness flooring. It can be used to either push or pull wood flooring strips into place and ratchets tightly for hands free operation. The base of the PowerJack 500 has mounting holes for mid-floor use. Simply screw nail the PowerJack 500 to your sub floor -in front of your flooring strips -and ratchet the flooring strips tight. Also great for under cabinet and kick plate installation. **Part number: PJ500**



**Powerjack
Model 500**

PowerPalm™

"The PowerPalm is the industries best solution to blind nailing close to the wall. Saves both, time and money!" Pressure activated...simply press down, and let the tool do the work. The Power Palm will allow blind nailing closer to the wall and reduce the amount of face nailing. "Blind nail, top nail...tight spots and corners, the PowerPalm gets them all!" Featuring 360 degree swivel tip for fitting awkward or tight spaces. Magnetic cleat holder keeps nail in position. Uses both 16 gage and 18 gage Powercleats—Use the same fastener throughout your install! **Part number: PALM001**



*Closest you
can get to
the wall!*

Pneumatic PowerPalm™

15FS FLEX Power Roller Conversion Kit

When comfort and control make the difference, Powernail's new 15FS Power Roller Conversion Kit allows the 15FS to convert into a Power Roller. Gliding on 6 precision urethane covered bearing wheels, the stapler moves effortlessly along the boards.

- Adjust from 5/8" to 3/4" (16mm to 19mm)
- 6 Precision urethane covered wheels
- Increases speed and reduces fatigue

Part number: 06-99606



**15FS FLEX Power
Roller Foot**

POWERNAIL COMPANY, INC.
1300 Rose Road, Lake Zurich, IL 60047 US
Phone: 1-800-323-1653 or 847-847-3000
www.powernail.com