

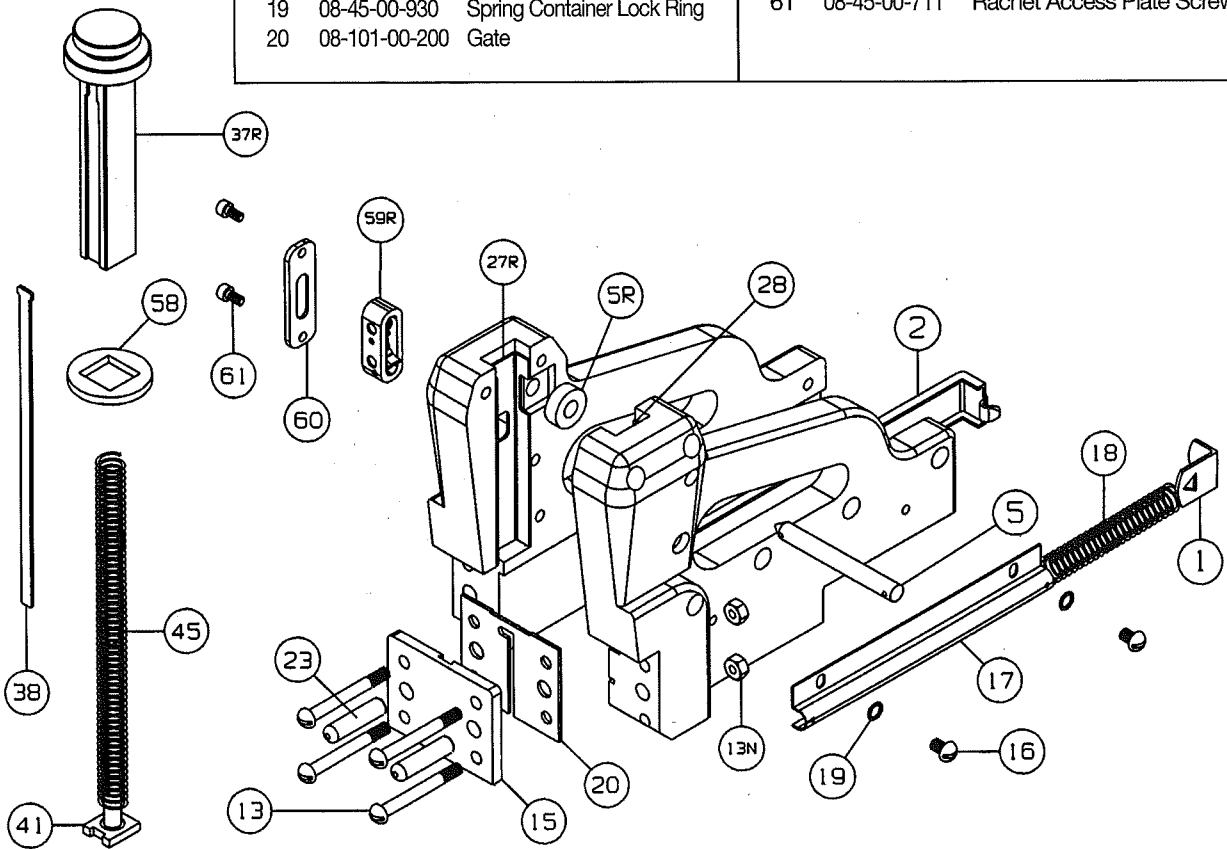
POWERNAIL® Co.

P.O. Box 300, Lincolnshire, IL 60069-0300 • 301 E. Half Day Rd., Buffalo Grove, IL 60089
 Phones: 1-800/323-1653 • 847/634-3000 • Fax : 1-800/624-5450 • 847/634-4943
 E-Mail: powernail@powernail.com • Web Site: www.powernail.com

MODEL 101R RATCHETING SURFACE NAILER

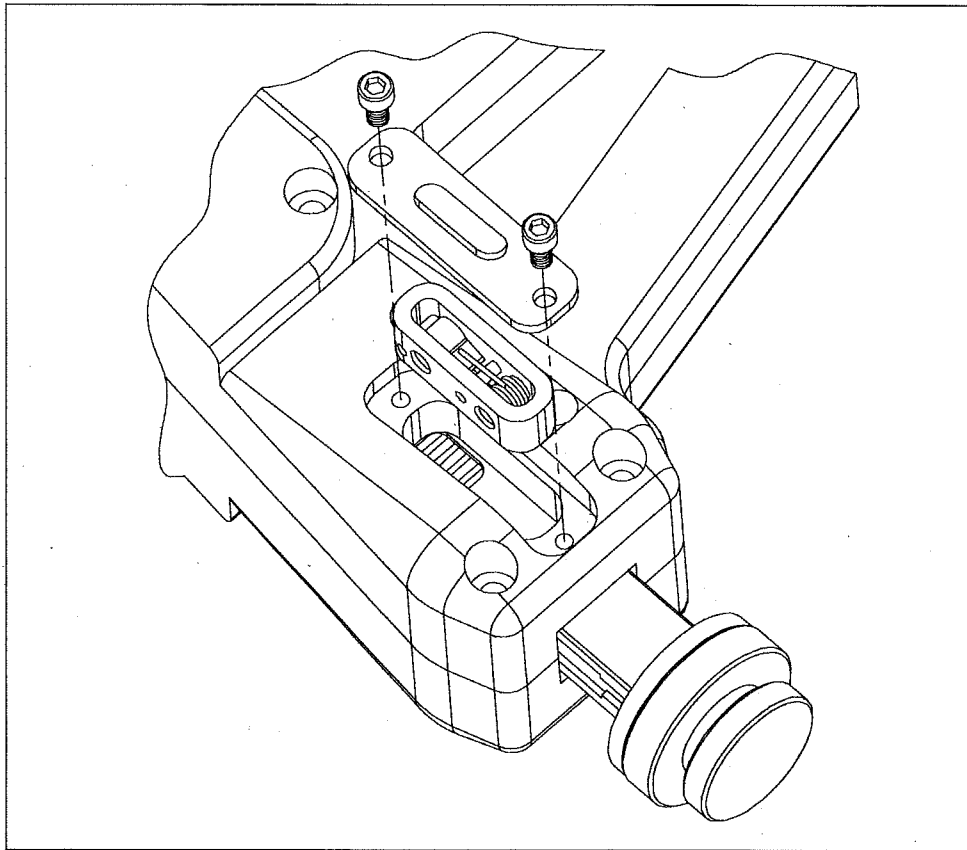
PARTS LIST

ITEM	PART NO.	DESCRIPTION	ITEM	PART NO.	DESCRIPTION
1	08-45-00-010	Spring Clip	23	08-45-00-230	Dowel Pin
2	08-45-00-020	Feeder Channel	28	08-101-00-280	Plunger Liner Left
5	08-45-00-050	Roller Pin Assembly	27R	08-101-00-705	Plunger Linger Right
5R	08-45-00-05R	Roller	37R	07-45-00-704	Plunger
13	08-45-00-130	Foot Screw	38	08-101-00-380	Driving Blade
13N	08-45-00-13N	Locknut	41	08-45-00-410	Plunger Spring Pin
15	08-101-00-150	Foot	45	08-45-00-450	Plunger Spring
16	08-45-00-960	Spring Container Screw	58	08-45-00-580	Blade Retainer
17	08-45-00-170	Spring Container	59R	08-45R-00-59	Ratchet Assembly
18	08-45-00-180	Feeder Spring	60	08-45-00-710	Ratchet Access Plate
19	08-45-00-930	Spring Container Lock Ring	61	08-45-00-711	Ratchet Access Plate Screw
20	08-101-00-200	Gate			

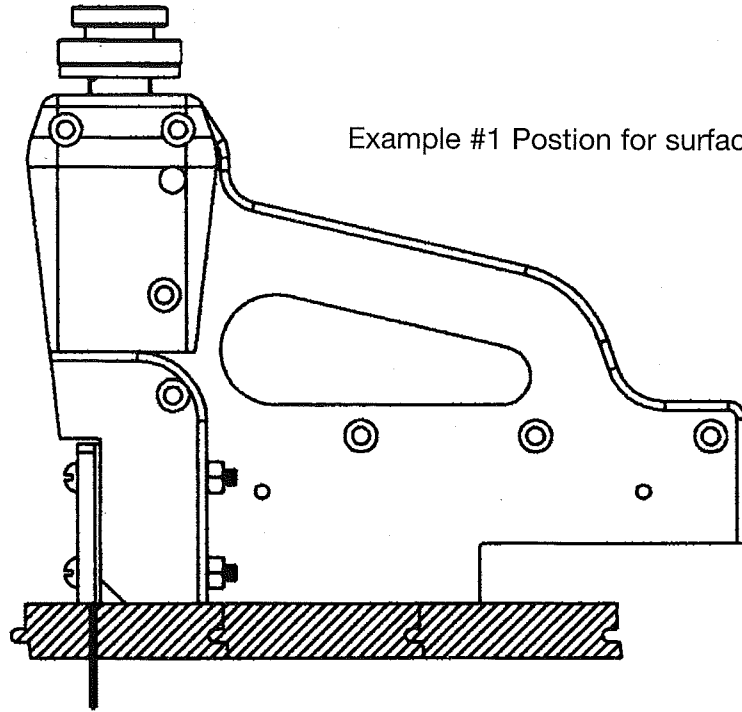


MODEL 45 & 101 RATCHET REPAIR INSTRUCTIONS

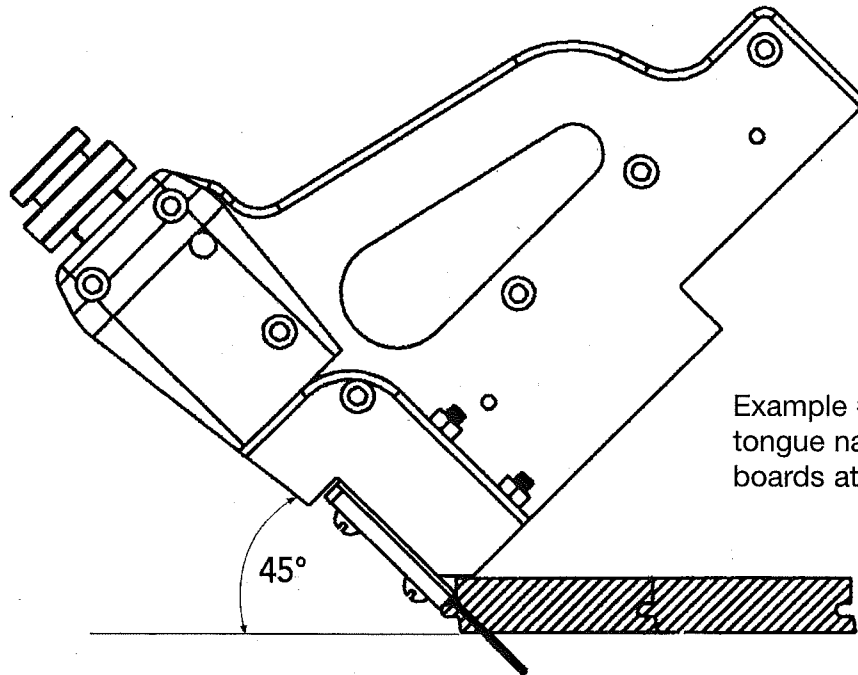
- With a 5/32 allen wrench, unscrew the two #10-32 socket head cap screws from the access plate.
- Remove access plate by turning nailer over.
- Remove ratchet insert assembly.
- Install new ratchet insert assembly as shown below.
- Replace access plate. Important: Make sure access plate is replaced as shown, with indent facing in towards ratchet.
- Fasten access plate back to body using a 5/32 allen wrench and the two socket head cap screws.



MODEL 101R NAILING EXAMPLES



Example #1 Postion for surface nailing



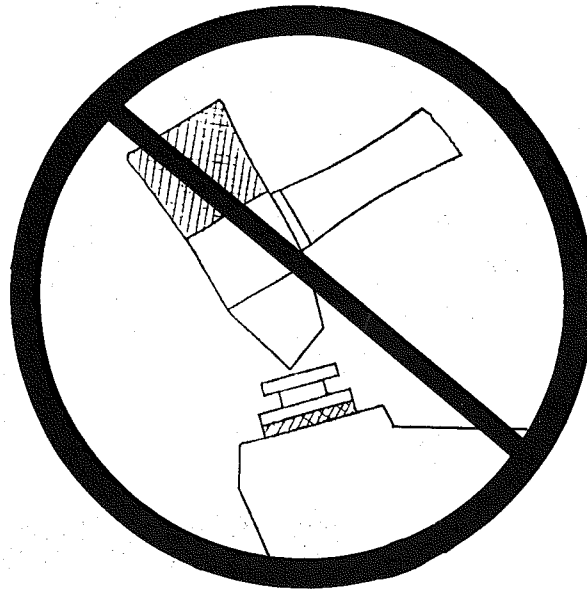
Example #2 Postion for tongue nailing unfinished boards at 45° angle.

REPLACING #38 DRIVING BLADE

1. Remove #5 Roller Pin—save Cotter Pin.
2. Holding Nailer in left hand with Nailer tilted so rear of Nailer is down, depress #37R Plunger Head slightly so #5R Roller is released from Plunger Head.
3. Remove #37R Plunger Head from Body of Nailer by lifting straight out of Body.
4. Remove #38 Driving Blade from under #58 Rubber Blade Retainer. Discard Blade.
5. Insert new #38 Driving Blade with face of Blade stamped "Front" facing front of Nailer, under #58 Rubber Blade Retainer until the "T" section at top of Blade fits into milled slot under Plunger Head. Push #58 Rubber Blade Retainer flush to underside of Plunger Head.
6. Holding Nailer in left hand with Nailer so rear of Nailer is down, slowly insert Plunger Head and Driving Blade Assembly into Nailer Body, making certain the #45 Plunger Spring is inserted into hole in Plunger Head.
7. While in this position, reinsert the #5 Roller Pin and Cotter Pin.
8. Installation is complete and Nailer is ready to use.

CAUTION

Using a mallet in the manner shown below will not only break the plunger head, but may also damage the nailer body to the point where factory repairs cannot be made.



IMPROPER MALLET USAGE WITH ALL POWERNAILER® NAILERS